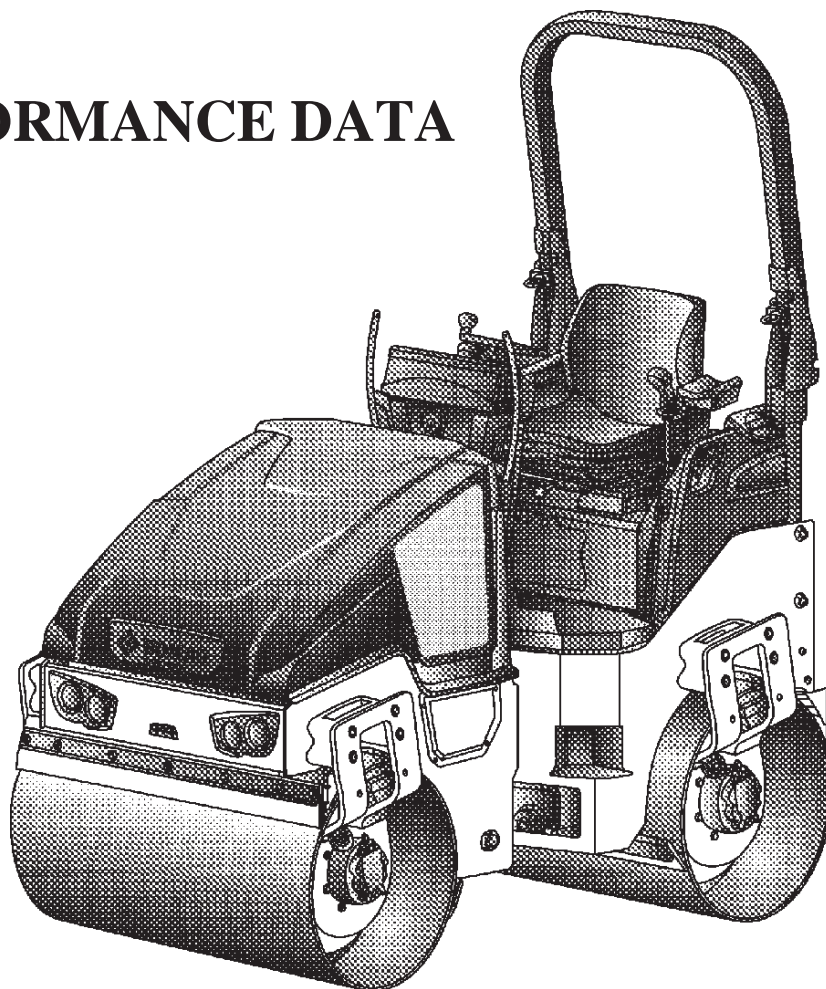
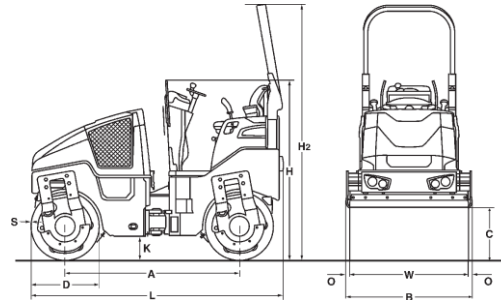


TANDEM VIBRATORY ROLLER BW 120 AD-5

PERFORMANCE DATA



BW 120 AD-5



Standard Equipment

- Hydrostatic travel and vibration drive
- Pressure sprinkler system with interval switch
- Vibration isolated operator's platform
- 2 scrapers per drum, spring loaded
- Multi-function travel lever
- Multi-function dash display
- Hourmeter
- Electric fuel gauge
- Emergency STOP switch
- Intelligent Vibration Control (IVC)
- Integrated storage compartment
- Adjustable operator's seat
- Lashing eyes, galvanized
- Back-up alarm
- Single point lifting device
- V-belt protection
- Vandalism protection
- Lockable engine hood made of composite material
- Working lights front and rear
- Seat contact switch
- Plastic water tank
- Foldable ROPS incl. seat belt

Optional Equipment

- Indicator and hazard lights
- Rotary beacon
- Battery disconnection switch
- Sliding seat
- ECONOMIZER
- Theft protection
- Special paint
- Edge cutter
- BOMAG Telematic
- Foldable sunroof
- Weather protection
- Seat heating
- Backup warning buzzer with broadband technology
- Environmentally hydraulic oil compliant

Dimensions in inches (mm)

	A	B	C	D	H	H2	K	L	O	S	W
BW 120 AD-5	69	50	20.6	27.6	71.2	101	10	99.6	1.4	0.5	47.2
	(1752)	(1272)	(523)	(700)	(1808)	(2568)	(254)	(2529)	(36)	(13)	(1200)

Technical data

Weights

Operating weight w. ROPS	lb (kg)	6261 (2840)
Average static linear load	lb/in (kg/cm)	66.1 (11.8)

Driving Characteristics

Speed	mph (km/h)	0 - 6.8 (0 - 11)
Working speed with vibration	mph (km/h)	0 - 6.8 (0 - 11)
Max. gradeability without/with vibr.	%	40 / 30

Drive

Engine manufacturer	Kubota	
Type	D 1703-IDI	
Tier Compliance	Tier 4 Final	
Cooling	water	
Number of cylinders	3	
Performance ISO 14396	.kW	25
Performance SAE J 1995	.hp	33.5
Speed	rpm	2400
Electric equipment	V	12
Driven drum		front + rear

Brakes

Service brake	hydrost.
Parking brake	hydromec.

Steering

Steering system	oscil.artic.	
Steering method	hydrost.	
Steering / oscillating angle +/-	deg	32 / 10
Crab steer offset – manual	in (mm)	0 - 2 (0 - 50)
Track radius, inner	in (mm)	96.5 (2450)

Exciter System

Vibrating drum		front + rear
Drive system		hydrost.
Frequency	VPM (Hz)	3600/4020 (60/67)
Amplitude	in (mm)	0.020 (0.50)
Centrifugal force	lb (kN)	7419/9442 (33/41)

Drum Water Spray System

Type	pressure with interval
------	------------------------

Capacities

Fuel	gal (l)	9.2 (35)
Water	gal (l)	54.2 (205)

Technical modifications reserved. Machines may be shown with options.

BOMAG BW120AD-5