

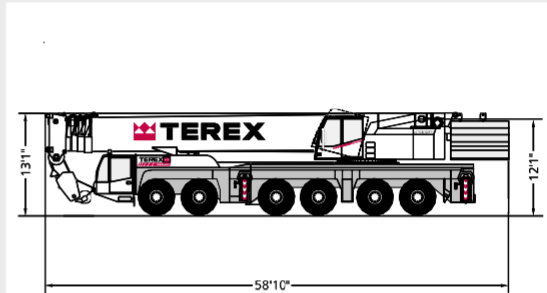
# AC 350



  
**400t**

## Demag AC 350

- ▶ Max. load capacity 400 t
- ▶ Sideways Superlift (SSL) for enormous capacity enhancements
- ▶ Unmatched maximum boom lengths of 413.3 ft through the combination of main boom and luffing fly jib
- ▶ Most compact 6-axle crane in its class with an overall length of just 54.8 ft



[www.terex-cranes.com](http://www.terex-cranes.com)

# Contents

Page:

## Technical data

Dimensions .....	4
Specifications .....	6

1

## Main boom

Working ranges with / without SSL .....	7
Lifting capacities .....	8
Lifting capacities with SSL .....	11

2

## Main boom extension

Working ranges with / without SSL .....	13
Lifting capacities .....	14
Lifting capacities with SSL 30° .....	16

3

## Fixed fly jib

Working ranges with / without SSL (LF) .....	18
Lifting capacities (LF) .....	19
Lifting capacities with SSL 30° (LF) .....	20
Working ranges (SF) with / without SSL .....	21
Lifting capacities (SF) .....	22
Lifting capacities with SSL (SF) .....	24

4

## Luffing fly jib

Working ranges with / without SSL .....	25
Lifting capacities .....	26
Lifting capacities with SSL 60° .....	30

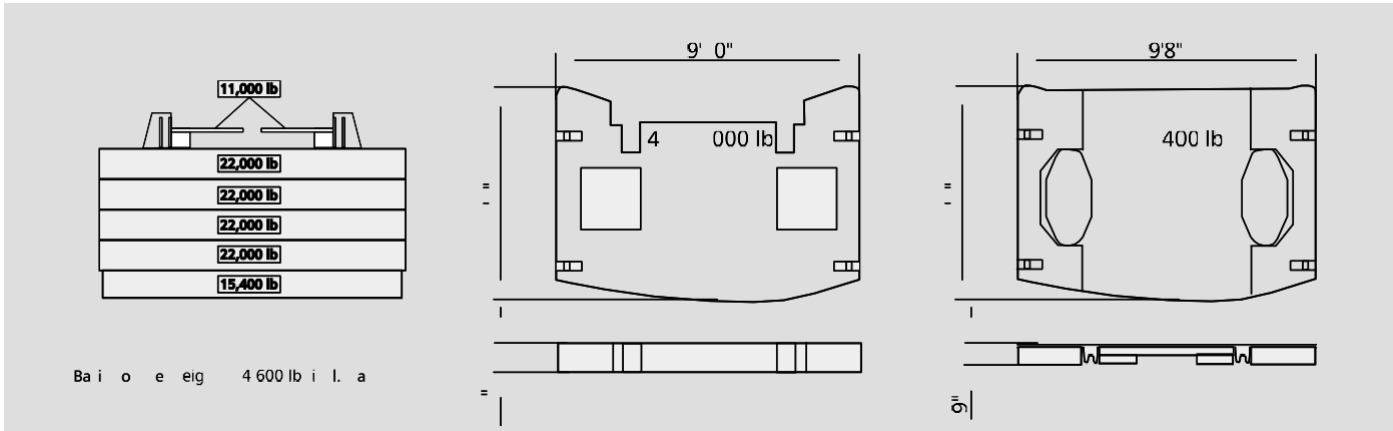
5

## Technical description

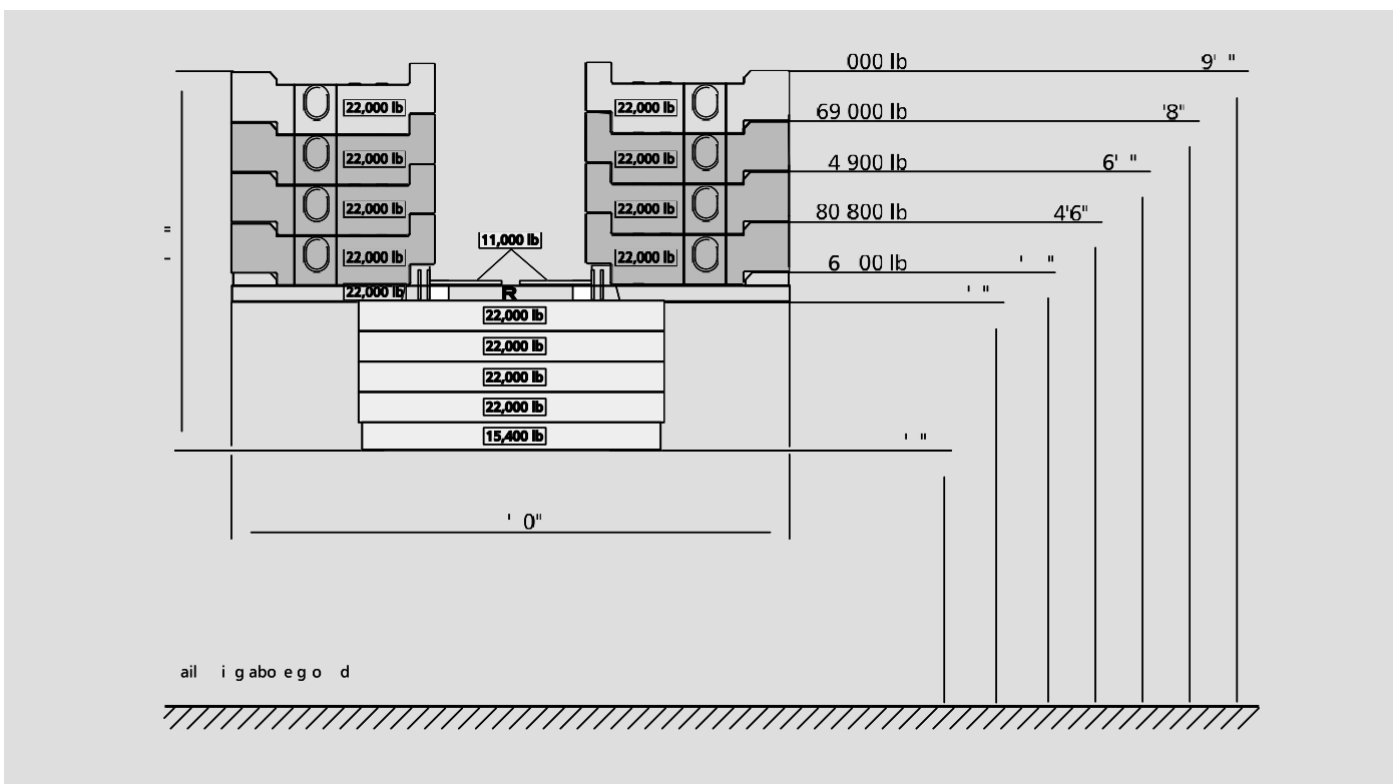
Carrier · Superstructure · Optional equipment .....	31
---	----

6

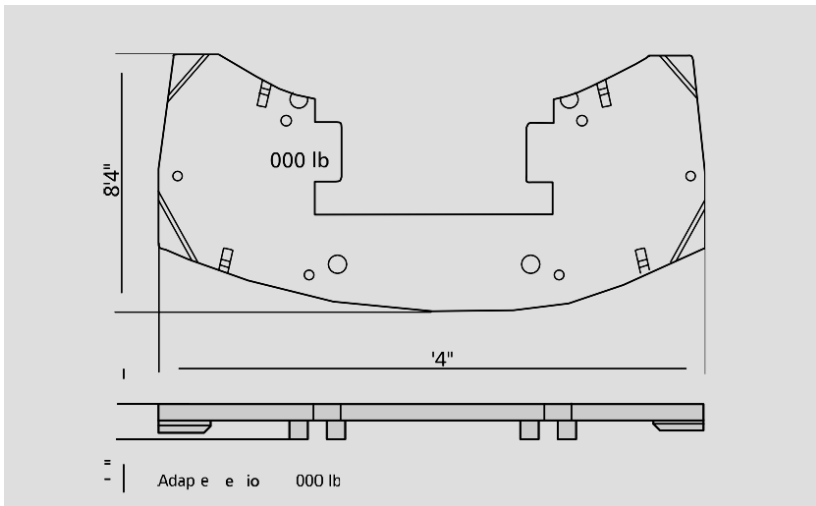




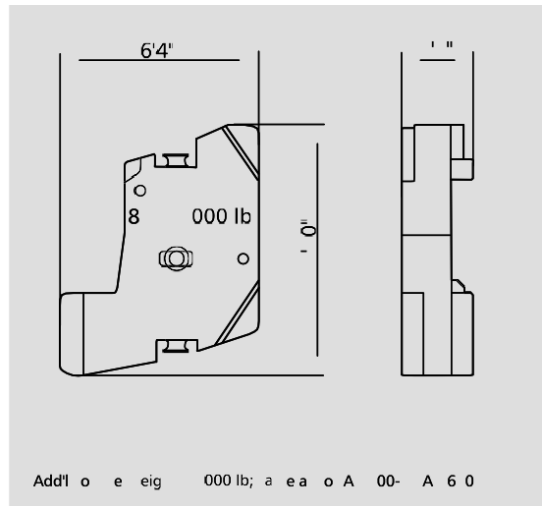
Ba i o e eig 4 600 lb i l. a



ail i gabo ego d



Adap e e io 000 lb



Add'l o e eig 000 lb; a ea o A 00- A 6 0

# Specifications

## Axle loads

Crane in travel order	
Axles	6 x 26,455 lb
Total weight	158,730 lb

## Working speeds (infinitely variable)

Mechanisms	Normal speed	High speed	Max. permissible line pull	Rope diameter / Rope length
Hoist I	197 ft / min	476 ft / min	115 kN	0.91' / 1,230 ft
Hoist II	197 ft / min	508 ft / min	115 kN	0.91' / 1,857 ft
Slewing				max. 1.1 1/min
Telescoping speed				46.6 - 183.7 ft: 420 s
Boom elevation				-1,6° - +82°: 85 s

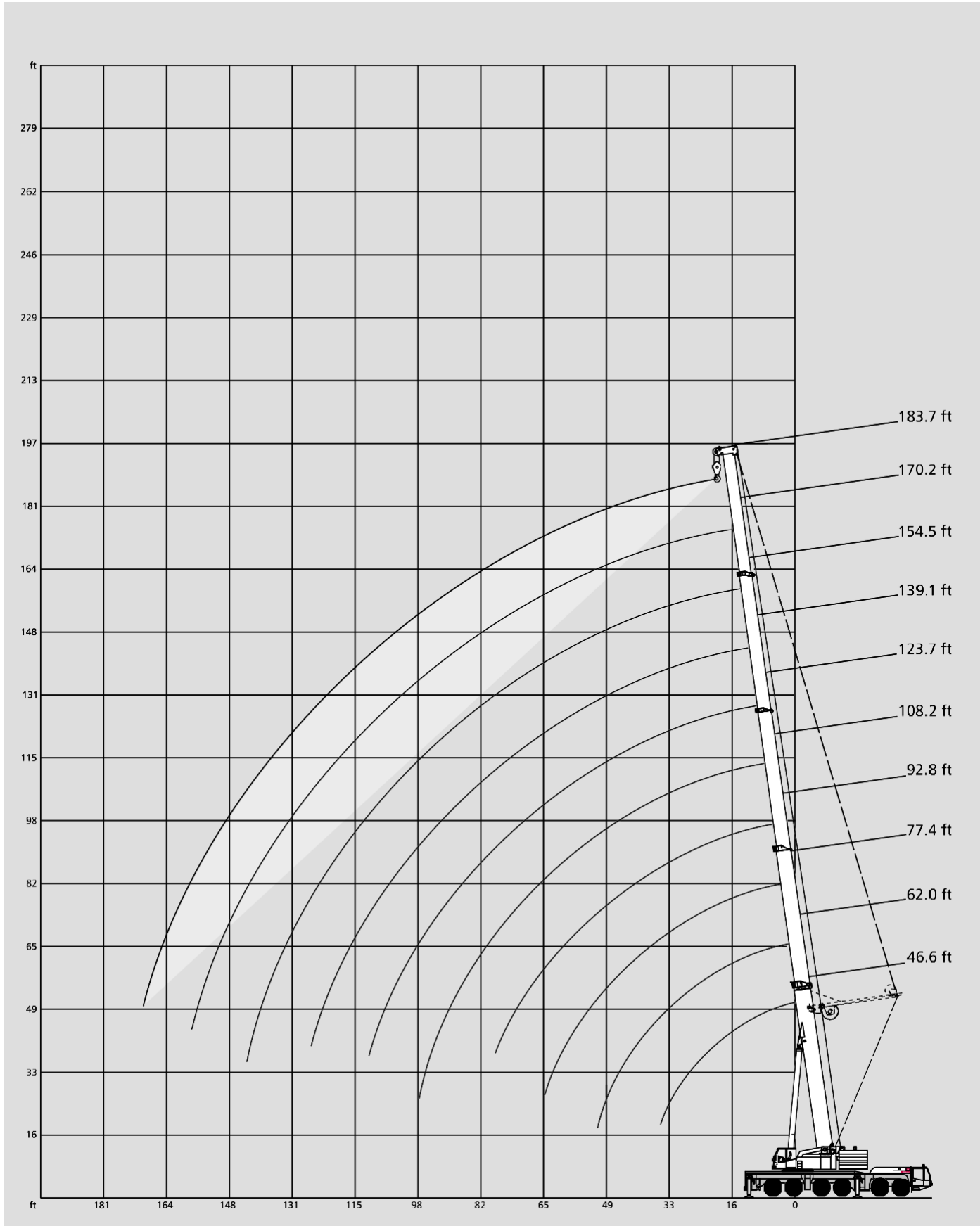
## Carrier performance

Travel speed	0 . . 53 mph
Gradability	41 %
Ground clearance	1.34 ft

## Hook block / Heavy-lift attachment

Type	Possible load	Number of sheaves	Weight	„D“	max. reeving	Heavy-lift attachment
250	523,6 klb	11	4,400 lb	9.8 ft	23	6 add'l sheaves
200 / 9	441,0 klb	9	4,400 lb	9.8 ft	19	6 add'l sheaves
200 / 7	355,0 klb	7	3,750 lb	9.8 ft	15	2 add'l sheaves
125	265,0 klb	5	2,645 lb	9.8 ft	11	
80	172,0 klb	3	2,315 lb	9.8 ft	7	
40	75,0 klb	1	2,315 lb	8.6 ft	3	
12,5	25,3 klb	Single line hook	1,100 lb	6.6 ft	1	

# Working ranges main boom with / without SSL



# Lifting capacities main boom

313,100 lb  **360°** **85%**

		Main boom										
Radius	ft	46.6	62.0	77.4	92.9	108.3	123.7	139.1	154.5	170.3	183.7	Radius
	ft	1,000 lb										ft
19		358.3*	358.3*	329.0*	277.4	235.0	-	-	-	-	-	19
23		312.7*	312.7*	312.7*	266.6	226.9	182.9	154.2	-	-	-	23
26		284.5*	284.5*	284.5*	254.5	216.8	176.8	148.2	128.2	-	-	26
29		261.8	261.1	261.8	244.2	206.8	168.9	142.1	124.1	108.6	-	29
33		233.0	234.9	234.8	228.5	193.3	158.2	134.1	118.7	103.8	88.0	33
39		-	204.8	202.6	204.3	173.2	142.0	124.0	110.7	96.9	83.1	39
46		-	173.6	171.7	173.9	151.9	123.3	110.1	101.5	89.4	77.5	46
52		-	129.3	151.5	151.7	137.8	111.2	100.4	93.8	83.3	72.9	52
59		-	-	130.2	132.4	123.5	98.6	90.2	85.3	76.7	67.7	59
65		-	-	107.4	118.3	113.4	89.3	82.9	78.7	71.7	63.4	65
72		-	-	-	106.3	105.7	80.2	75.3	71.3	66.2	58.9	72
79		-	-	-	85.4	97.5	72.5	68.7	65.0	61.5	54.7	79
85		-	-	-	-	89.4	67.0	63.5	60.2	57.7	51.5	85
92		-	-	-	-	74.7	61.6	57.8	55.0	53.5	48.2	92
98		-	-	-	-	55.1	57.6	53.6	51.2	50.2	45.6	98
105		-	-	-	-	-	53.1	49.3	47.6	46.7	42.7	105
111		-	-	-	-	-	48.5	45.9	44.3	43.7	40.3	111
118		-	-	-	-	-	-	42.6	41.4	40.6	37.9	118
124		-	-	-	-	-	-	39.9	39.0	38.1	35.9	124
131		-	-	-	-	-	-	-	36.4	35.5	33.8	131
138		-	-	-	-	-	-	-	33.8	33.0	31.6	138
144		-	-	-	-	-	-	-	-	31.1	30.0	144
151		-	-	-	-	-	-	-	-	29.3	28.4	151
157		-	-	-	-	-	-	-	-	-	26.8	157
164		-	-	-	-	-	-	-	-	-	25.1	164

269,000 lb  **360°** **85%**

		Main boom											
Radius	ft	46.6 <sup>1)</sup>	46.6	62.0	77.4	92.9	108.3	123.7	139.1	154.5	170.3	183.7	Radius
	ft	1,000 lb										ft	
9.8		800.0*	-	-	-	-	-	-	-	-	-	-	9.8
10		747.7*	518.9	385.5*	352.5*	-	-	-	-	-	-	-	10
11		595.9*	496.0	384.2*	351.1*	-	-	-	-	-	-	-	11
13		491.9*	452.4	379.5*	348.4*	286.5	-	-	-	-	-	-	13
15		459.1*	414.7	373.8*	343.2*	286.2	-	-	-	-	-	-	15
16		443.0*	397.2	369.8*	340.5*	284.9	241.1	-	-	-	-	-	16
19		396.4*	355.3	348.9*	329.0*	277.4	235.0	190.9	-	-	-	-	19
23		336.8*	308.3	306.1*	308.3*	266.6	226.9	182.9	154.2	-	-	-	23
26		298.5*	280.1	279.9*	280.1*	254.5	216.8	176.8	148.2	128.2	-	-	26
29		267.6*	257.4	257.4	257.4	244.2	206.8	168.9	142.1	124.1	108.6	-	29
33		233.2*	228.9	230.4	230.3	228.2	193.3	158.2	134.1	118.7	103.8	88.0	33
39		-	-	196.2	196.0	196.0	173.2	142.0	124.0	110.7	96.9	83.1	39
46		-	-	164.9	162.9	165.1	151.9	123.3	110.1	101.5	89.4	77.5	46
52		-	-	128.6	142.7	144.9	137.8	111.2	100.4	93.8	83.3	72.9	52
59		-	-	-	123.6	125.8	123.5	98.6	90.2	85.3	76.7	67.7	59
65		-	-	-	107.4	111.6	113.4	89.3	82.9	78.7	71.7	63.4	65
72		-	-	-	-	100.3	102.3	80.2	75.3	71.3	66.2	58.9	72
79		-	-	-	-	85.6	91.5	72.5	68.7	65.0	61.5	54.7	79
85		-	-	-	-	-	83.5	67.0	63.5	60.2	57.7	51.5	85
92		-	-	-	-	-	74.7	61.6	57.8	55.0	53.5	48.2	92
98		-	-	-	-	-	55.1	57.6	53.6	51.2	50.2	45.6	98
105		-	-	-	-	-	-	53.1	49.3	47.6	46.7	42.7	105
111		-	-	-	-	-	-	48.5	45.9	44.3	43.7	40.3	111
118		-	-	-	-	-	-	-	42.6	41.4	40.6	37.9	118
124		-	-	-	-	-	-	-	39.9	39.0	38.1	35.9	124
131		-	-	-	-	-	-	-	-	36.4	35.5	33.8	131
138		-	-	-	-	-	-	-	-	33.8	33.0	31.6	138
144		-	-	-	-	-	-	-	-	-	31.1	30.0	144
151		-	-	-	-	-	-	-	-	-	29.3	28.4	151
157		-	-	-	-	-	-	-	-	-	-	26.8	157
164		-	-	-	-	-	-	-	-	-	-	25.1	164

## Remarks

\* with special attachment      <sup>1)</sup> only over rear



224,900 lb



360°

85%

Main boom

Radius	ft	46.6	62.0	77.4	92.9	108.3	123.7	139.1	154.5	170.3	183.7	Radius
ft	1,000 lb											ft
10		514.0*	385.5*	352.5*	-	-	-	-	-	-	-	10
11		488.5*	384.2*	351.1*	-	-	-	-	-	-	-	11
13		443.5*	379.5*	348.4*	286.5	-	-	-	-	-	-	13
15		408.1*	373.8*	343.2*	286.2	-	-	-	-	-	-	15
16		390.6*	369.8*	340.5*	284.9	241.1	-	-	-	-	-	16
19		348.7*	343.7*	329.0*	277.4	235.0	190.9	-	-	-	-	19
23		303.9*	301.7*	301.7*	266.6	226.9	182.9	154.2	-	-	-	23
26		275.7*	275.2*	275.5*	254.5	216.8	176.8	148.2	128.2	-	-	26
29		253.0	253.0	251.1	244.2	206.8	168.9	142.1	124.1	108.6	-	29
33		220.6	221.6	221.5	221.5	193.3	158.2	134.1	118.7	103.8	88.0	33
39		-	187.4	185.2	187.3	173.2	142.0	124.0	110.7	96.9	83.1	39
46		-	156.2	154.1	156.3	151.9	123.3	110.1	101.5	89.4	77.5	46
52		-	127.9	135.8	136.1	137.8	111.2	100.4	93.8	83.3	72.9	52
59		-	-	119.1	116.9	119.2	98.6	90.2	85.3	76.7	67.7	59
65		-	-	106.4	104.0	106.6	89.3	82.9	78.7	71.7	63.4	65
72		-	-	-	89.4	92.0	80.2	75.3	71.3	66.2	58.9	72
79		-	-	-	78.0	80.3	72.5	68.7	65.0	61.5	54.7	79
85		-	-	-	-	72.0	67.0	63.5	60.2	57.7	51.5	85
92		-	-	-	-	64.1	61.6	57.8	55.0	53.5	48.2	92
98		-	-	-	-	54.4	56.5	53.6	51.2	50.2	45.6	98
105		-	-	-	-	-	51.1	49.3	47.6	46.7	42.7	105
111		-	-	-	-	-	48.5	45.9	44.3	43.7	40.3	111
118		-	-	-	-	-	-	42.1	41.4	40.6	37.9	118
124		-	-	-	-	-	-	38.7	39.0	38.1	35.9	124
131		-	-	-	-	-	-	-	36.0	35.5	33.8	131
138		-	-	-	-	-	-	-	32.7	33.0	31.6	138
144		-	-	-	-	-	-	-	-	31.1	30.0	144
151		-	-	-	-	-	-	-	-	29.0	28.4	151
157		-	-	-	-	-	-	-	-	-	26.8	157
164		-	-	-	-	-	-	-	-	-	24.9	164
170		-	-	-	-	-	-	-	-	-	-	170



136,700 lb



360°

85%

Main boom

Radius	ft	46.6	62.0	77.4	92.9	108.3	123.7	139.1	154.5	170.3	183.7	Radius
ft	1,000 lb											ft
10		496.6*	385.5*	352.5*	-	-	-	-	-	-	-	10
11		472.4*	384.2*	351.1*	-	-	-	-	-	-	-	11
13		430.1*	379.5*	348.4*	286.5	-	-	-	-	-	-	13
15		393.3*	373.8*	343.2*	286.2	-	-	-	-	-	-	15
16		378.5*	369.8*	340.5*	284.9	241.1	-	-	-	-	-	16
19		335.9*	335.0*	329.0*	277.4	235.0	190.9	-	-	-	-	19
23		286.2	286.2	286.2	266.6	226.9	182.9	154.2	-	-	-	23
26		253.9	253.9	251.9	252.4	216.8	176.8	148.2	128.2	-	-	26
29		225.4	225.4	223.2	225.4	206.8	168.9	142.1	124.1	108.6	-	29
33		192.8	194.9	195.0	194.9	190.6	158.2	134.1	118.7	103.8	88.0	33
39		-	154.6	158.7	154.6	154.3	142.0	124.0	110.7	96.9	83.1	39
46		-	123.2	121.0	123.2	121.0	116.6	110.0	101.5	89.4	77.5	46
52		-	103.4	100.4	103.4	100.8	98.9	97.1	93.8	83.3	72.9	52
59		-	-	84.5	85.2	82.6	81.4	80.8	80.7	76.7	67.7	59
65		-	-	74.4	73.5	70.8	71.9	69.3	70.3	70.3	63.4	65
72		-	-	-	62.6	59.8	61.1	58.0	59.1	60.8	58.9	72
79		-	-	-	53.6	51.1	53.3	52.9	53.3	51.9	52.4	79
85		-	-	-	-	45.0	47.6	47.8	47.4	45.9	46.1	85
92		-	-	-	-	39.1	42.2	42.2	41.3	39.8	40.0	92
98		-	-	-	-	35.1	39.6	38.8	37.1	35.5	35.7	98
105		-	-	-	-	-	35.7	34.8	33.0	31.3	31.5	105
111		-	-	-	-	-	32.2	31.4	29.4	27.8	28.0	111
118		-	-	-	-	-	-	28.2	26.2	24.5	24.7	118
124		-	-	-	-	-	-	25.6	23.4	21.7	21.9	124
131		-	-	-	-	-	-	-	21.0	19.2	19.4	131
138		-	-	-	-	-	-	-	18.4	16.7	16.9	138
144		-	-	-	-	-	-	-	-	15.0	15.3	144
151		-	-	-	-	-	-	-	-	13.2	13.2	151
157		-	-	-	-	-	-	-	-	-	11.7	157
164		-	-	-	-	-	-	-	-	-	10.3	164

# Lifting capacities main boom

92,600 lb



360°

85%

Main boom

Radius	ft	46.6	62.0	77.4	92.9	108.3	123.7	139.1	154.5	170.3	183.7	Radius
		1,000 lb										
ft												ft
10		488.0*	385.5*	352.5*	-	-	-	-	-	-	-	10
11		465.1*	384.2*	351.1*	-	-	-	-	-	-	-	11
13		421.5*	379.5*	348.4*	286.5	-	-	-	-	-	-	13
15		386.4*	372.8*	343.2*	286.2	-	-	-	-	-	-	15
16		370.2*	364.8*	340.5*	284.9	241.1	-	-	-	-	-	16
19		325.3*	323.1*	318.5*	277.4	235.0	190.9	-	-	-	-	19
23		266.3	266.3	264.1	248.6	226.7	182.9	154.2	-	-	-	23
26		230.0	232.1	223.7	210.3	200.5	176.8	148.2	128.2	-	-	26
29		203.0	203.3	200.4	181.3	174.3	161.5	142.1	124.1	108.6	-	29
33		161.8	161.8	166.2	159.9	148.9	138.0	129.2	118.4	103.8	88.0	33
39		-	126.9	124.4	127.6	118.7	110.4	104.2	100.3	96.9	83.1	39
46		-	97.2	98.7	97.6	93.4	90.8	82.3	82.5	79.2	76.8	46
52		-	78.4	79.8	78.7	81.1	78.3	74.8	72.0	67.1	65.3	52
59		-	-	64.6	66.4	65.3	63.1	65.1	60.2	55.8	54.5	59
65		-	-	56.0	56.5	55.4	55.6	55.2	52.4	48.3	47.2	65
72		-	-	-	47.6	46.3	46.9	46.0	44.0	41.1	40.3	72
79		-	-	-	40.5	39.4	39.9	39.2	37.2	35.2	34.6	79
85		-	-	-	-	34.6	35.0	34.4	32.4	30.6	30.4	85
92		-	-	-	-	30.1	30.3	29.6	27.4	25.7	26.1	92
98		-	-	-	-	28.2	26.9	26.0	24.0	22.2	22.5	98
105		-	-	-	-	-	23.8	22.9	20.7	18.9	19.1	105
111		-	-	-	-	-	20.9	20.1	17.8	16.1	16.3	111
118		-	-	-	-	-	-	17.4	15.4	13.7	13.9	118
124		-	-	-	-	-	-	15.4	13.2	11.4	11.7	124
131		-	-	-	-	-	-	-	11.3	9.5	9.7	131
138		-	-	-	-	-	-	-	9.4	7.6	7.8	138
144		-	-	-	-	-	-	-	-	6.4	6.4	144
151		-	-	-	-	-	-	-	-	5.0	5.0	151
157		-	-	-	-	-	-	-	-	-	4.0	157

48,500 lb



360°

85%

Main boom

Radius	ft	46.6	62.0	77.4	92.9	108.3	123.7	139.1	154.5	170.3	183.7	Radius
		1,000 lb										
ft												ft
10		481.2*	385.5*	352.5*	-	-	-	-	-	-	-	10
11		457.0*	384.2*	351.1*	-	-	-	-	-	-	-	11
13		414.7*	379.5*	348.4*	286.5	-	-	-	-	-	-	13
15		376.9*	370.9*	342.3*	286.2	-	-	-	-	-	-	15
16		358.1*	354.8*	335.6*	284.9	243.8	-	-	-	-	-	16
19		298.2*	294.2*	264.8*	239.0	217.6	197.4	-	-	-	-	19
23		237.5	222.2	204.6	191.4	169.4	151.8	138.6	-	-	-	23
26		189.1	181.9	168.3	159.1	141.2	131.0	116.4	110.1	-	-	26
29		151.9	155.6	146.4	134.3	125.5	114.9	106.7	99.8	91.4	-	29
33		113.6	122.3	120.2	109.5	106.1	96.8	93.3	84.7	77.0	73.8	33
39		-	87.3	88.8	89.6	83.0	78.9	73.9	67.0	61.1	58.6	39
46		-	62.4	66.6	67.0	66.8	62.0	58.0	52.3	47.5	45.9	46
52		-	49.3	53.1	53.5	54.1	51.5	48.2	43.2	39.0	37.9	52
59		-	-	41.7	42.1	42.6	41.5	39.3	34.9	31.1	30.2	59
65		-	-	34.8	35.1	35.7	34.6	33.4	29.4	25.8	25.2	65
72		-	-	-	28.8	29.2	28.1	27.2	24.1	20.8	20.4	72
79		-	-	-	23.8	24.3	22.9	22.1	19.9	16.8	16.4	79
85		-	-	-	-	20.6	19.3	18.4	16.2	13.8	13.5	85
92		-	-	-	-	17.1	15.8	14.9	12.9	10.9	10.5	92
98		-	-	-	-	14.7	13.4	12.5	10.3	8.5	8.5	98
105		-	-	-	-	-	11.0	10.1	8.1	6.3	6.3	105
111		-	-	-	-	-	9.2	8.3	6.1	4.3	4.5	111
118		-	-	-	-	-	-	6.4	4.4	-	-	118
124		-	-	-	-	-	-	5.0	-	-	-	124
131		-	-	-	-	-	-	-	-	-	-	131

**Remarks**

\* with special attachment

# Lifting capacities main boom with SSL

313,100 lb  **360°** **85%**

Main boom								
Radius	ft	108.3*	123.7*	139.1*	154.5*	170.3**	183.7**	Radius
ft					1,000 lb			ft
16		259.0	210.2	-	-	-	-	16
19		250.9	204.2	177.2	-	-	-	19
23		240.2	198.3	171.9	145.4	-	-	23
26		232.1	192.3	167.8	141.4	128.2	117.1	26
29		225.9	186.2	163.8	137.3	124.1	113.1	29
33		215.3	178.2	158.4	132.0	118.7	108.2	33
39		193.1	168.1	150.4	126.0	110.7	100.5	39
46		167.3	156.3	141.0	118.9	102.4	93.1	46
52		145.1	144.2	132.9	112.9	96.1	87.7	52
59		125.8	128.0	123.5	106.0	89.5	82.0	59
65		111.6	113.8	115.4	100.8	84.3	77.6	65
72		99.7	101.5	102.8	95.3	78.6	72.6	72
79		88.5	90.4	91.8	90.1	73.4	67.9	79
85		77.0	82.6	83.7	85.3	69.2	63.9	85
92		61.7	74.0	75.7	77.6	64.5	59.6	92
98		42.8	65.2	69.6	71.6	60.6	56.2	98
111		-	40.5	55.7	59.5	53.6	49.8	111
124		-	-	37.1	49.4	47.4	44.3	124
138		-	-	-	33.5	42.1	39.4	138
151		-	-	-	-	30.5	35.8	151
164		-	-	-	-	-	26.0	164

269,000 lb  **360°** **85%**

Main boom								
Radius	ft	108.3*	123.7*	139.1*	154.5*	170.3**	183.7**	Radius
ft					1,000 lb			ft
16		259.0	210.2	-	-	-	-	16
19		250.9	204.2	177.2	-	-	-	19
23		240.2	198.3	171.9	145.4	-	-	23
26		232.1	192.3	167.8	141.4	128.2	117.1	26
29		225.9	186.2	163.8	137.3	124.1	113.1	29
33		215.2	178.2	158.4	132.0	118.7	108.2	33
39		191.0	168.1	150.4	126.0	110.7	100.5	39
46		158.5	156.3	141.0	118.9	102.4	93.1	46
52		138.3	140.2	132.9	112.9	96.1	87.7	52
59		119.2	121.4	121.3	106.0	89.5	82.0	59
65		106.4	108.2	109.4	100.8	84.3	77.6	65
72		93.1	95.5	96.8	95.3	78.6	72.6	72
79		81.8	84.3	85.6	88.0	73.4	67.9	79
85		73.6	76.0	77.5	79.9	69.2	63.9	85
92		61.7	67.5	69.3	71.5	64.5	59.6	92
98		42.8	61.7	63.2	65.4	60.6	56.2	98
111		-	40.3	52.4	54.6	53.6	49.8	111
124		-	-	36.9	45.8	47.4	44.3	124
138		-	-	-	33.5	39.8	39.3	138
151		-	-	-	-	30.5	33.9	151
164		-	-	-	-	-	26.0	164

## Remarks

- \* SSL 0°
- \*\* SSL 30°



# Notes to lifting capacity



Ratings are in compliance with ISO 4305 and DIN 15019.2 (test load = 1.25 x suspended load + 0.1 x dead weight of boom reduced to boom point).

Weight of hook blocks and slings is part of the load, and is to be deducted from the capacity ratings.

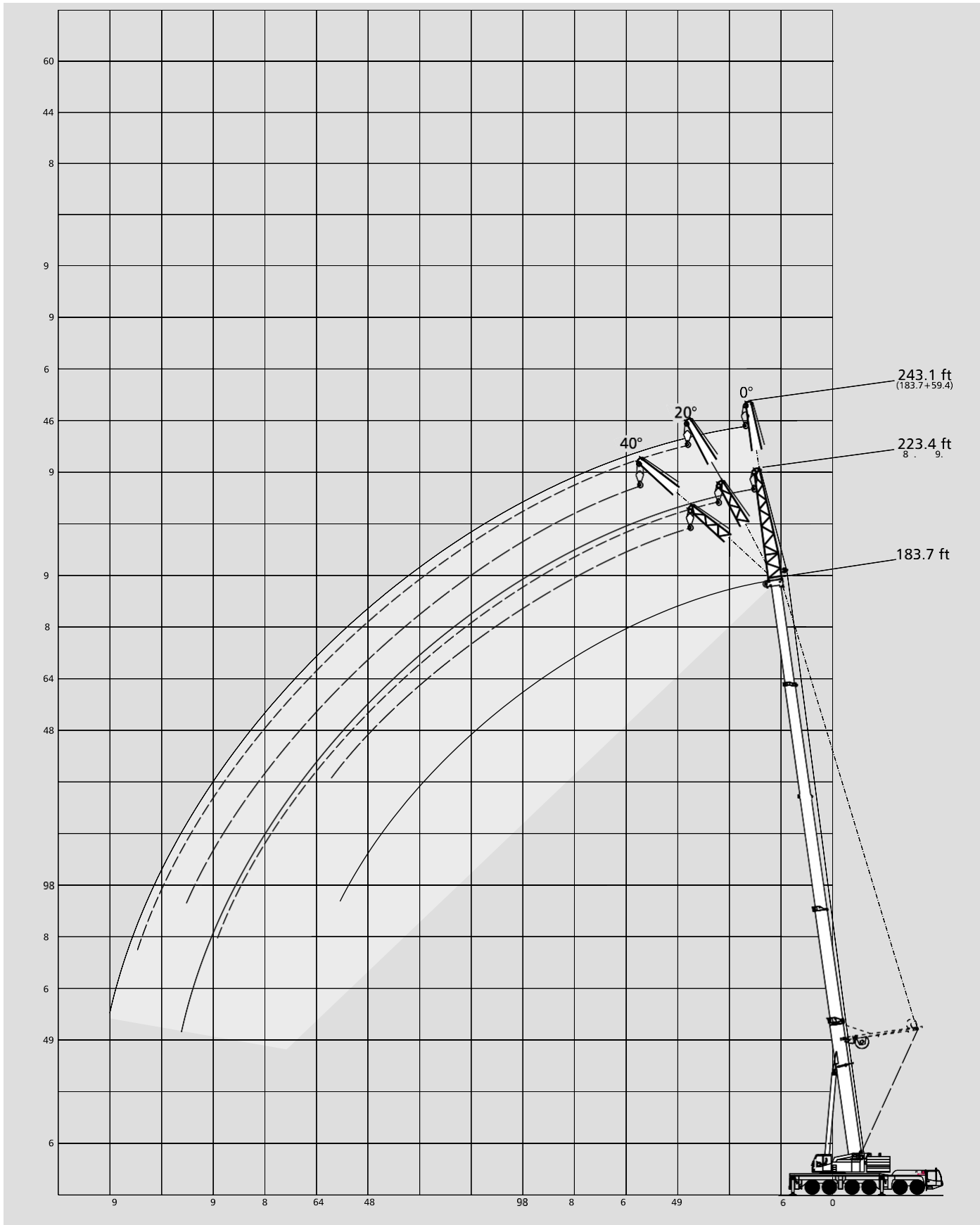
Crane operation with main boom is permissible up to a  
wind pressure of ..... 1.25 lb/ft<sup>2</sup>

wind speed of ..... 32 ft

Consult operation manual for further details.

Note: Data published herein is intended as a guide only and shall not be construed to warrant applicability for lifting purposes. Crane operation is subject to the computer charts and operation manual both supplied with the crane.

# Working ranges main boom extension with / without SSL



# Lifting capacities main boom extension



360°

85%

## 170.3 ft Main boom

Radius ft	Extension 40.0 ft									Radius ft
	269,000 lb*			224,900 lb*			180,800 lb*			
	0°	20°	40°	0°	20°	40°	0°	20°	40°	
39	61.4	-	-	61.4	-	-	61.4	-	-	39
46	58.1	-	-	58.1	-	-	58.1	-	-	46
52	55.3	39.1	-	55.3	39.1	-	55.3	39.1	-	52
59	52.0	37.2	28.6	52.0	37.2	28.6	52.0	37.2	28.6	59
65	49.4	35.8	28.0	49.4	35.8	28.0	49.4	35.8	28.0	65
72	46.1	34.4	27.3	46.1	34.4	27.3	46.1	34.4	27.3	72
79	42.8	33.0	26.8	42.8	33.0	26.8	42.8	33.0	26.8	79
85	40.2	32.0	26.2	40.2	32.0	26.2	40.2	32.0	26.2	85
92	37.6	30.8	25.7	37.6	30.8	25.7	37.6	30.8	25.7	92
98	35.4	30.0	25.3	35.4	30.0	25.3	35.4	30.0	25.3	98
111	31.6	28.2	24.7	31.6	28.2	24.7	31.6	28.2	24.7	111
124	29.0	26.9	24.0	29.0	26.9	24.0	29.0	26.9	24.0	124
138	26.8	25.5	23.8	26.8	25.5	23.8	26.8	25.5	23.8	138
151	25.1	24.0	23.5	25.1	24.0	23.5	23.3	24.0	23.5	151
164	22.9	22.2	-	22.9	22.2	-	19.4	20.0	-	164
177	20.5	20.5	-	20.5	20.5	-	16.1	16.5	-	177
187	18.7	18.9	-	18.7	18.9	-	13.8	14.3	-	187
190	18.3	-	-	18.3	-	-	13.2	-	-	190
203	-	-	-	-	-	-	-	-	-	203

## 170.3 ft Main boom

Radius ft	Extension 59.1 ft									Radius ft
	269,000 lb*			224,900 lb*			180,800 lb*			
	0°	20°	40°	0°	20°	40°	0°	20°	40°	
39	38.3	-	-	38.3	-	-	38.3	-	-	39
46	37.6	-	-	37.6	-	-	37.6	-	-	46
52	36.8	-	-	36.8	-	-	36.8	-	-	52
59	36.1	-	-	36.1	-	-	36.1	-	-	59
62	35.7	30.6	-	35.7	30.6	-	35.7	30.6	-	62
65	35.3	30.2	-	35.3	30.2	-	35.3	30.2	-	65
72	34.4	29.1	-	34.4	29.1	-	34.4	29.1	-	72
79	33.4	28.1	24.4	33.4	28.1	24.4	33.4	28.1	24.4	79
85	32.4	27.3	23.8	32.4	27.3	23.8	32.4	27.3	23.8	85
92	31.2	26.6	23.3	31.2	26.6	23.3	31.2	26.6	23.3	92
98	30.4	25.8	22.9	30.4	25.8	22.9	30.4	25.8	22.9	98
111	28.1	24.5	22.2	28.1	24.5	22.2	28.1	24.5	22.2	111
124	25.9	23.4	21.8	25.9	23.4	21.8	25.9	23.4	21.8	124
138	23.5	22.0	21.1	23.5	22.0	21.1	23.5	22.0	21.1	138
151	21.5	20.7	20.2	21.5	20.7	20.2	21.5	20.7	20.2	151
164	19.8	19.4	19.4	19.8	19.4	19.4	19.8	19.4	19.4	164
170	19.2	19.0	19.0	19.2	19.0	19.0	18.4	18.8	19.0	170
177	18.5	18.3	-	18.5	18.3	-	16.7	17.8	-	177
190	17.2	17.2	-	17.2	17.2	-	13.9	14.8	-	190
203	15.7	16.1	-	15.7	16.1	-	11.5	12.2	-	203
213	14.5	-	-	14.5	-	-	10.1	-	-	213

### Remarks

\* counterweight



183.7 ft Main boom

Radius ft	Extension 40.0 ft									Radius ft
	269,000 lb*			224,900 lb*			180,800 lb*			
	0°	20°	40°	0°	20°	40°	0°	20°	40°	
46	50.4	-	-	50.4	1,000 lb	-	50.4	-	-	46
52	47.8	-	-	47.8	-	-	47.8	-	-	52
56	45.9	37.6	-	45.9	37.6	-	45.9	37.6	-	56
59	44.5	36.8	-	44.5	36.8	-	44.5	36.8	-	59
65	42.1	35.4	27.8	42.1	35.4	27.8	42.1	35.4	27.8	65
72	39.3	33.7	27.3	39.3	33.7	27.3	39.3	33.7	27.3	72
79	36.9	32.3	26.6	36.9	32.3	26.6	36.9	32.3	26.6	79
85	35.1	30.9	26.2	35.1	30.9	26.2	35.1	30.9	26.2	85
92	33.2	29.7	25.5	33.2	29.7	25.5	33.2	29.7	25.5	92
98	31.8	28.5	25.1	31.8	28.5	25.1	31.8	28.5	25.1	98
111	28.7	26.3	24.0	28.7	26.3	24.0	28.7	26.3	24.0	111
124	26.1	24.5	22.9	26.1	24.5	22.9	26.1	24.5	22.9	124
138	23.7	22.6	21.8	23.7	22.6	21.8	23.7	22.6	21.8	138
151	22.0	21.3	20.7	22.0	21.3	20.7	22.0	21.3	20.7	151
164	20.5	20.0	19.8	20.5	20.0	19.8	19.1	20.0	19.8	164
177	18.9	18.7	-	18.9	18.7	-	15.9	16.5	-	177
190	17.4	17.2	-	17.4	17.2	-	13.0	13.5	-	190
200	16.1	15.8	-	16.1	15.8	-	11.2	11.4	-	200
203	15.7	-	-	15.7	-	-	10.6	-	-	203

183.7 ft Main boom

Radius ft	Extension 59.1 ft									Radius ft
	269,000 lb*			224,900 lb*			180,800 lb*			
	0°	20°	40°	0°	20°	40°	0°	20°	40°	
42	33.5	-	-	33.5	1,000 lb	-	33.5	-	-	42
46	33.2	-	-	33.2	-	-	33.2	-	-	46
52	32.6	-	-	32.6	-	-	32.6	-	-	52
59	32.1	-	-	32.1	-	-	32.1	-	-	59
65	31.3	28.5	-	31.3	28.5	-	31.3	28.5	-	65
72	30.4	27.3	-	30.4	27.3	-	30.4	27.3	-	72
79	29.4	26.2	-	29.4	26.2	-	29.4	26.2	-	79
82	28.8	25.7	23.1	28.8	25.7	23.1	28.8	25.7	23.1	82
85	28.4	25.1	22.7	28.4	25.1	22.7	28.4	25.1	22.7	85
92	27.3	24.0	21.8	27.3	24.0	21.8	27.3	24.0	21.8	92
98	26.3	23.2	21.2	26.3	23.2	21.2	26.3	23.2	21.2	98
111	24.1	21.4	19.6	24.1	21.4	19.6	24.1	21.4	19.6	111
124	22.1	19.7	18.5	22.1	19.7	18.5	22.1	19.7	18.5	124
138	20.2	18.2	17.4	20.2	18.2	17.4	20.2	18.2	17.4	138
151	18.7	17.1	16.5	18.7	17.1	16.5	18.7	17.1	16.5	151
164	17.4	16.0	15.8	17.4	16.0	15.8	17.4	16.0	15.8	164
177	16.3	15.4	15.2	16.3	15.4	15.2	16.3	15.4	15.2	177
180	15.9	15.2	15.2	15.9	15.2	15.2	15.7	15.2	15.2	180
190	15.2	14.7	-	15.2	14.7	-	13.7	14.7	-	190
203	14.3	14.1	-	14.3	14.1	-	11.3	11.9	-	203
216	13.2	13.4	-	13.2	13.4	-	9.1	9.7	-	216
229	11.5	-	-	11.5	-	-	7.3	-	-	229
243	-	-	-	-	-	-	-	-	-	243

Remarks

\* counterweight



# Lifting capacities main boom extension with SSL 30°



360°

85%

## 170.3 ft Main boom

		Extension 40.0 ft										
		269,000 lb*			224,900 lb*			180,800 lb*				
Radius		0°	20°	40°	0°	20°	40°	0°	20°	40°	Radius	
ft		1,000 lb									ft	
33		75.3	-	-	75.3	-	-	75.3	-	-	33	
39		75.3	-	-	75.3	-	-	75.3	-	-	39	
46		72.9	44.2	-	72.9	44.2	-	72.9	44.2	-	46	
52		69.3	42.2	-	69.3	42.2	-	69.3	42.2	-	52	
56		66.8	40.9	29.9	66.8	40.9	29.9	66.8	40.9	29.9	56	
59		64.8	40.1	29.7	64.8	40.1	29.7	64.8	40.1	29.7	59	
65		61.4	38.5	28.9	61.4	38.5	28.9	61.4	38.5	28.9	65	
72		57.4	36.8	28.2	57.4	36.8	28.2	57.4	36.8	28.2	72	
79		53.6	35.2	27.5	53.6	35.2	27.5	53.6	35.2	27.5	79	
85		50.6	34.0	26.9	50.6	34.0	26.9	50.6	34.0	26.9	85	
92		47.3	32.8	26.4	47.3	32.8	26.4	47.3	32.8	26.4	92	
98		44.9	31.8	26.0	44.9	31.8	26.0	44.9	31.8	26.0	98	
111		40.3	29.8	25.1	40.3	29.8	25.1	39.6	29.8	25.1	111	
124		36.5	28.2	24.5	36.5	28.2	24.5	32.5	28.2	24.5	124	
138		33.2	26.8	24.2	33.2	26.8	24.2	25.9	26.8	24.2	138	
151		30.8	25.7	24.0	28.4	25.7	24.0	21.1	22.4	23.1	151	
164		28.6	24.9	-	23.8	24.6	-	17.2	18.0	-	164	
177		26.4	24.2	-	19.8	20.5	-	13.9	14.5	-	177	
187		21.6	24.0	-	17.4	17.8	-	11.6	12.1	-	187	
190		20.0	-	-	16.6	-	-	11.0	-	-	190	
203		-	-	-	-	-	-	-	-	-	203	

## 170.3 ft Main boom

		Extension 59.1 ft										
		269,000 lb*			224,900 lb*			180,800 lb*				
Radius		0°	20°	40°	0°	20°	40°	0°	20°	40°	Radius	
ft		1,000 lb									ft	
33		47.3	-	-	47.3	-	-	47.3	-	-	33	
39		46.5	-	-	46.5	-	-	46.5	-	-	39	
46		45.4	-	-	45.4	-	-	45.4	-	-	46	
52		44.1	-	-	44.1	-	-	44.1	-	-	52	
56		43.1	34.1	-	43.1	34.1	-	43.1	34.1	-	56	
59		42.5	33.5	-	42.5	33.5	-	42.5	33.5	-	59	
65		40.9	32.3	-	40.9	32.3	-	40.9	32.3	-	65	
69		40.0	31.5	26.0	40.0	31.5	26.0	40.0	31.5	26.0	69	
72		39.2	31.1	25.8	39.2	31.1	25.8	39.2	31.1	25.8	72	
79		37.8	29.9	25.1	37.8	29.9	25.1	37.8	29.9	25.1	79	
85		36.4	28.9	24.7	36.4	28.9	24.7	36.4	28.9	24.7	85	
92		35.0	27.9	24.2	35.0	27.9	24.2	35.0	27.9	24.2	92	
98		33.8	27.1	23.6	33.8	27.1	23.6	33.8	27.1	23.6	98	
111		31.1	25.8	22.7	31.1	25.8	22.7	31.1	25.8	22.7	111	
124		28.9	24.5	22.0	28.9	24.5	22.0	28.9	24.5	22.0	124	
138		26.8	23.3	21.5	26.8	23.3	21.5	26.8	23.3	21.5	138	
151		25.3	22.4	21.1	25.3	22.4	21.1	22.2	22.4	21.1	151	
164		24.0	21.8	20.9	24.0	21.8	20.9	18.3	20.0	20.9	164	
174		23.1	21.3	20.9	21.5	21.3	20.9	15.6	17.1	18.0	174	
177		22.9	21.3	-	20.9	21.3	-	15.0	16.3	-	177	
190		21.8	20.9	-	17.7	18.7	-	12.1	13.0	-	190	
203		20.1	20.7	-	14.8	15.5	-	9.5	10.4	-	203	
210		15.1	-	-	13.6	-	-	8.5	-	-	210	

### Remarks

\* counterweight





183.7 ft Main boom

Radius ft	Extension 40.0 ft									Radius ft
	269,000 lb*			224,900 lb*			180,800 lb*			
	0°	20°	40°	0°	20°	40°	0°	20°	40°	
46	50.4	-	-	50.4	1,000 lb	-	50.4	-	-	46
52	47.8	-	-	47.8	-	-	47.8	-	-	52
56	45.9	37.6	-	45.9	37.6	-	45.9	37.6	-	56
59	44.5	36.8	-	44.5	36.8	-	44.5	36.8	-	59
65	42.1	35.4	27.8	42.1	35.4	27.8	42.1	35.4	27.8	65
72	39.3	33.7	27.3	39.3	33.7	27.3	39.3	33.7	27.3	72
79	36.9	32.3	26.6	36.9	32.3	26.6	36.9	32.3	26.6	79
85	35.1	30.9	26.2	35.1	30.9	26.2	35.1	30.9	26.2	85
92	33.2	29.7	25.5	33.2	29.7	25.5	33.2	29.7	25.5	92
98	31.8	28.5	25.1	31.8	28.5	25.1	31.8	28.5	25.1	98
111	28.7	26.3	24.0	28.7	26.3	24.0	28.7	26.3	24.0	111
124	26.1	24.5	22.9	26.1	24.5	22.9	26.1	24.5	22.9	124
138	23.7	22.6	21.8	23.7	22.6	21.8	23.7	22.6	21.8	138
151	22.0	21.3	20.7	22.0	21.3	20.7	22.0	21.3	20.7	151
164	20.5	20.0	19.8	20.5	20.0	19.8	19.1	20.0	19.8	164
177	18.9	18.7	-	18.9	18.7	-	15.9	16.5	-	177
190	17.4	17.2	-	17.4	17.2	-	13.0	13.5	-	190
200	16.1	15.8	-	16.1	15.8	-	11.2	11.4	-	200
203	15.7	-	-	15.7	-	-	10.6	-	-	203

183.7 ft Main boom

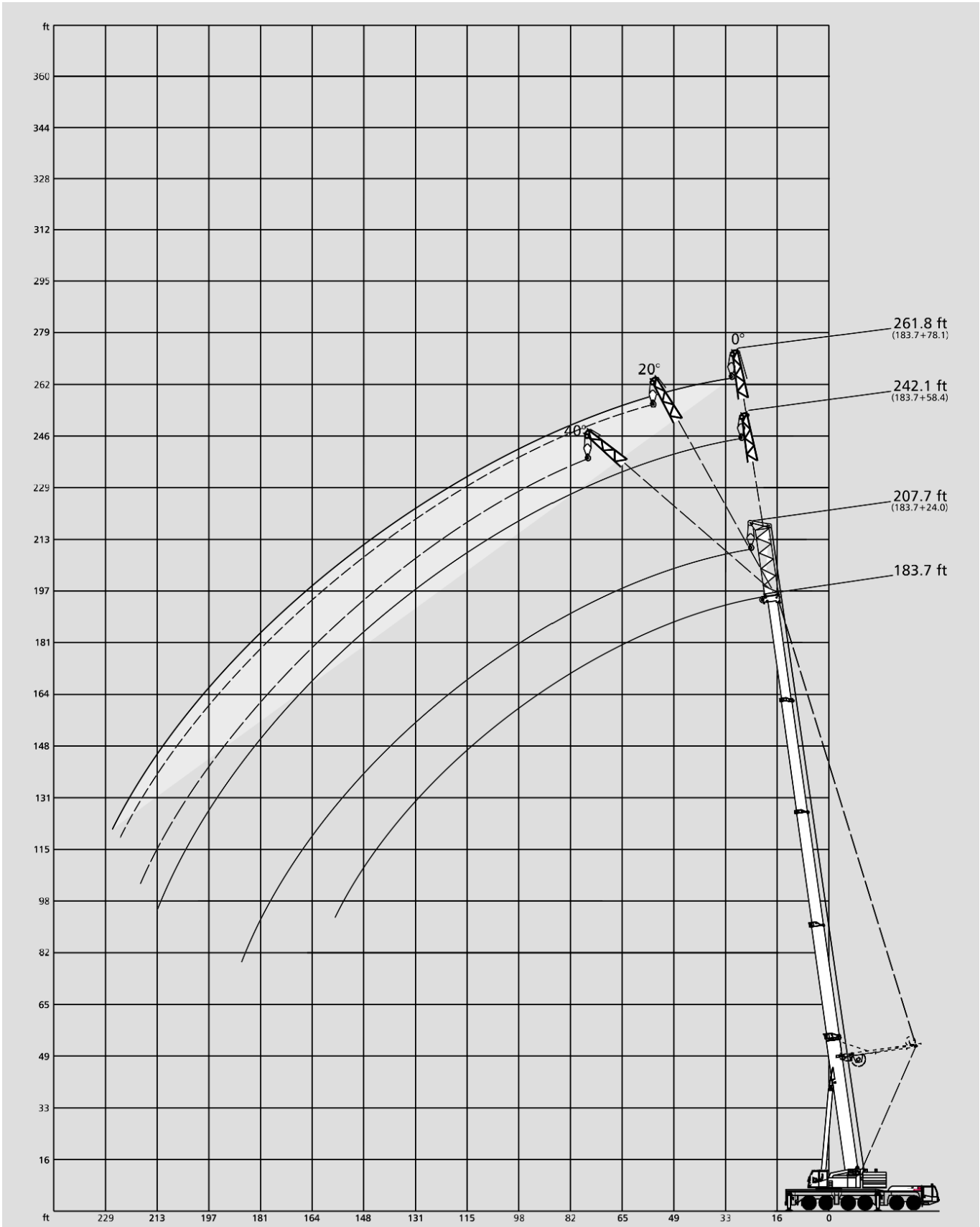
Radius ft	Extension 59.1 ft									Radius ft
	269,000 lb*			224,900 lb*			180,800 lb*			
	0°	20°	40°	0°	20°	40°	0°	20°	40°	
42	33.5	-	-	33.5	1,000 lb	-	33.5	-	-	42
46	33.2	-	-	33.2	-	-	33.2	-	-	46
52	32.6	-	-	32.6	-	-	32.6	-	-	52
59	32.1	-	-	32.1	-	-	32.1	-	-	59
65	31.3	28.5	-	31.3	28.5	-	31.3	28.5	-	65
72	30.4	27.3	-	30.4	27.3	-	30.4	27.3	-	72
79	29.4	26.2	-	29.4	26.2	-	29.4	26.2	-	79
82	28.8	25.7	23.1	28.8	25.7	23.1	28.8	25.7	23.1	82
85	28.4	25.1	22.7	28.4	25.1	22.7	28.4	25.1	22.7	85
92	27.3	24.0	21.8	27.3	24.0	21.8	27.3	24.0	21.8	92
98	26.3	23.2	21.2	26.3	23.2	21.2	26.3	23.2	21.2	98
111	24.1	21.4	19.6	24.1	21.4	19.6	24.1	21.4	19.6	111
124	22.1	19.7	18.5	22.1	19.7	18.5	22.1	19.7	18.5	124
138	20.2	18.2	17.4	20.2	18.2	17.4	20.2	18.2	17.4	138
151	18.7	17.1	16.5	18.7	17.1	16.5	18.7	17.1	16.5	151
164	17.4	16.0	15.8	17.4	16.0	15.8	17.4	16.0	15.8	164
177	16.3	15.4	15.2	16.3	15.4	15.2	16.3	15.4	15.2	177
180	15.9	15.2	15.2	15.9	15.2	15.2	15.7	15.2	15.2	180
190	15.2	14.7	-	15.2	14.7	-	13.7	14.7	-	190
203	14.3	14.1	-	14.3	14.1	-	11.3	11.9	-	203
216	13.2	13.4	-	13.2	13.4	-	9.1	9.7	-	216
229	11.5	-	-	11.5	-	-	7.3	-	-	229
243	-	-	-	-	-	-	-	-	-	243

Remarks

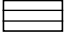
\* counterweight



# Working ranges fixed fly jib (LF) with / without SSL



# Lifting capacities fixed fly jib (LF)

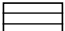
224,900 lb 

360°

85%

170.3 ft Main boom					
Radius	Fly jib				
	24.0 ft	58.7 ft	78.4 ft		
	0°	0°	0°	20°	40°
ft		1,000 lb			
36	70.3	-	-	-	-
39	68.1	-	-	-	-
42	65.9	48.9	-	-	-
46	63.2	47.3	-	-	-
49	61.2	46.3	37.3	-	-
52	59.3	45.1	36.3	-	-
59	55.3	42.7	34.1	-	-
65	52.1	40.7	32.5	-	-
72	48.8	38.6	30.9	-	-
75	47.3	37.8	30.2	21.8	-
79	45.7	36.5	29.4	21.3	-
85	43.3	34.9	28.0	20.7	-
92	40.7	33.2	26.8	20.0	15.6
98	38.7	31.6	25.8	19.4	15.2
111	34.7	28.7	23.8	18.1	14.7
124	31.4	26.3	22.1	17.2	14.3
138	28.1	24.0	20.4	16.5	13.8
151	25.5	22.0	19.1	15.8	13.6
164	22.7	20.5	18.0	15.2	13.4
177	20.0	19.1	16.7	14.7	13.4
190	-	17.8	15.6	14.1	13.4
203	-	16.5	14.7	13.6	-
213	-	15.2	13.9	13.2	-
216	-	-	13.7	13.0	-
223	-	-	13.2	12.5	-
229	-	-	12.8	-	-
236	-	-	-	-	-

183.7 ft Main boom					
Radius	Fly jib				
	24.0 ft	58.7 ft	78.4 ft		
	0°	0°	0°	20°	40°
ft		1,000 lb			
42	60.6	-	-	-	-
46	57.9	-	-	-	-
49	56.1	41.5	-	-	-
52	54.3	40.3	34.3	-	-
59	50.2	37.9	32.4	-	-
65	47.2	35.9	30.8	-	-
72	44.1	33.7	28.9	-	-
79	41.3	31.8	27.2	20.9	-
85	39.1	30.2	25.8	20.1	-
92	36.7	28.6	24.4	19.3	-
98	35.1	27.2	23.4	18.5	15.2
111	31.6	24.5	21.0	17.0	14.5
124	28.8	22.5	19.2	15.9	13.7
138	26.1	20.4	17.3	14.5	12.7
151	23.7	19.1	16.0	13.6	12.1
164	21.8	17.8	14.7	12.7	11.2
177	19.6	16.5	13.9	11.9	10.8
190	17.2	15.6	12.8	11.2	10.3
200	-	15.0	12.3	11.0	10.3
203	-	14.7	12.1	10.8	-
216	-	13.7	11.4	10.3	-
226	-	13.0	11.0	10.1	-
229	-	-	10.8	10.1	-
236	-	-	10.5	9.9	-
243	-	-	10.5	-	-
249	-	-	-	-	-
256	-	-	-	-	-

180,800 lb 

360°

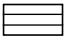
85%

170.3 ft Main boom					
Radius	Fly jib				
	24.0 ft	58.7 ft	78.4 ft		
	0°	0°	0°	20°	40°
ft		1,000 lb			
36	70.3	-	-	-	-
39	68.1	-	-	-	-
42	65.9	48.9	-	-	-
46	63.2	47.3	-	-	-
49	61.2	46.3	37.3	-	-
52	59.3	45.1	36.3	-	-
59	55.3	42.7	34.1	-	-
65	52.1	40.7	32.5	-	-
72	48.8	38.6	30.9	-	-
75	47.3	37.8	30.2	21.8	-
79	45.7	36.5	29.4	21.3	-
85	43.3	34.9	28.0	20.7	-
92	40.7	33.2	26.8	20.0	15.6
98	38.7	31.6	25.8	19.4	15.2
111	34.7	28.7	23.8	18.1	14.7
124	31.4	26.3	22.1	17.2	14.3
138	26.6	24.0	20.4	16.5	13.8
151	21.8	22.0	19.1	15.8	13.6
164	17.8	20.5	18.0	15.2	13.4
177	14.5	17.2	16.7	14.7	13.4
190	-	14.6	14.8	14.1	13.4
203	-	12.2	12.4	13.4	-
213	-	10.6	10.8	11.7	-
216	-	-	10.2	11.1	-
223	-	-	9.2	9.9	-
229	-	-	8.4	-	-
236	-	-	-	-	-

183.7 ft Main boom					
Radius	Fly jib				
	24.0 ft	58.7 ft	78.4 ft		
	0°	0°	0°	20°	40°
ft		1,000 lb			
42	60.6	-	-	-	-
46	57.9	-	-	-	-
49	56.1	41.5	-	-	-
52	54.3	40.3	34.3	-	-
59	50.2	37.9	32.4	-	-
65	47.2	35.9	30.8	-	-
72	44.1	33.7	28.9	-	-
79	41.3	31.8	27.2	20.9	-
85	39.1	30.2	25.8	20.1	-
92	36.7	28.6	24.4	19.3	-
98	35.1	27.2	23.4	18.5	15.2
111	31.6	24.5	21.0	17.0	14.5
124	28.8	22.5	19.2	15.9	13.7
138	26.1	20.4	17.3	14.5	12.7
151	21.8	19.1	16.0	13.6	12.1
164	17.8	17.8	14.7	12.7	11.2
177	14.5	16.5	13.9	11.9	10.8
190	11.7	14.1	12.8	11.2	10.3
200	-	12.3	12.1	11.0	10.3
203	-	11.7	11.9	10.8	-
216	-	9.7	9.7	10.3	-
226	-	8.4	8.4	9.0	-
229	-	-	8.0	8.8	-
236	-	-	7.2	7.7	-
243	-	-	6.3	-	-
249	-	-	-	-	-
256	-	-	-	-	-



# Lifting capacities fixed fly jib (LF) with SSL 30°

313,100 lb 

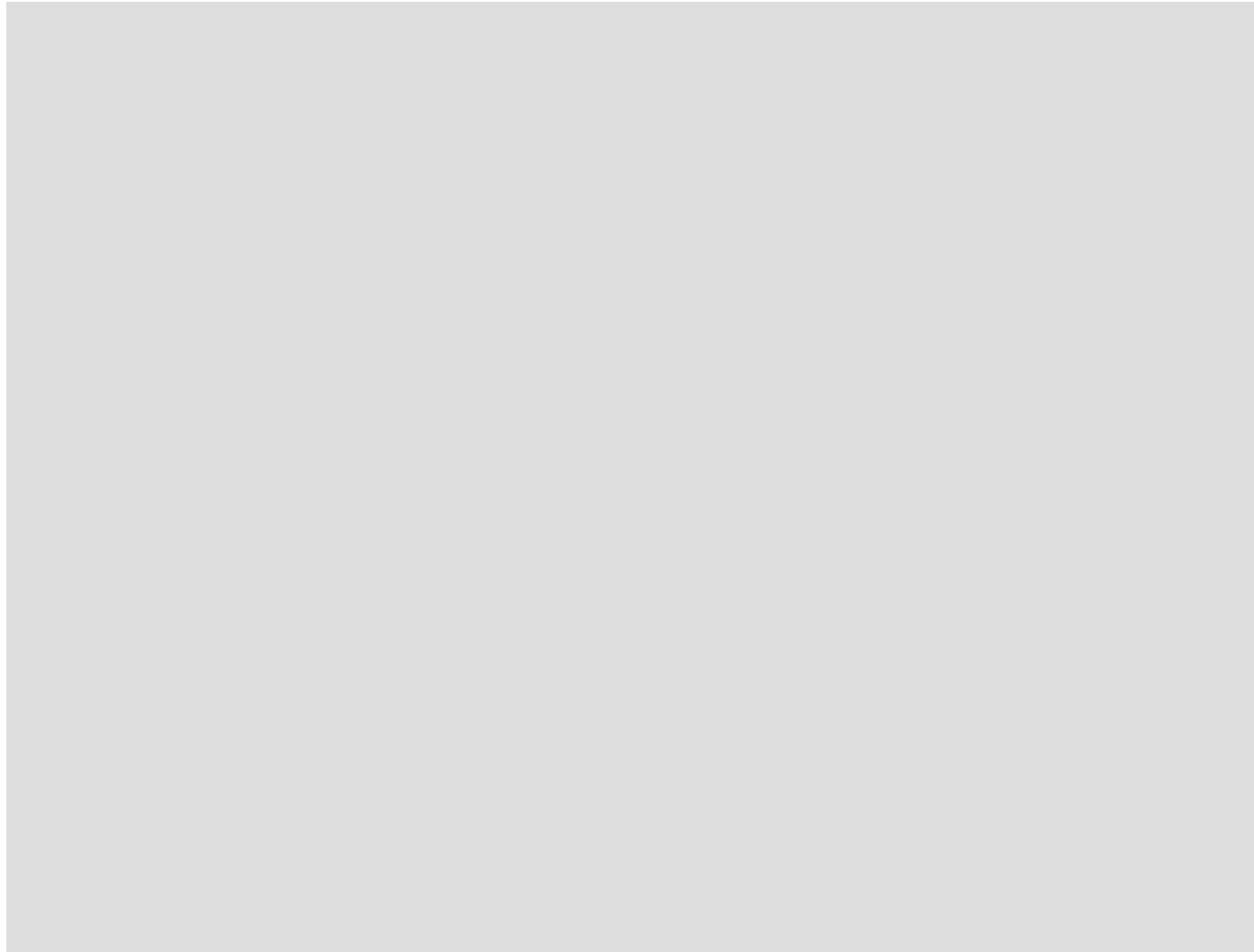
360°

85%

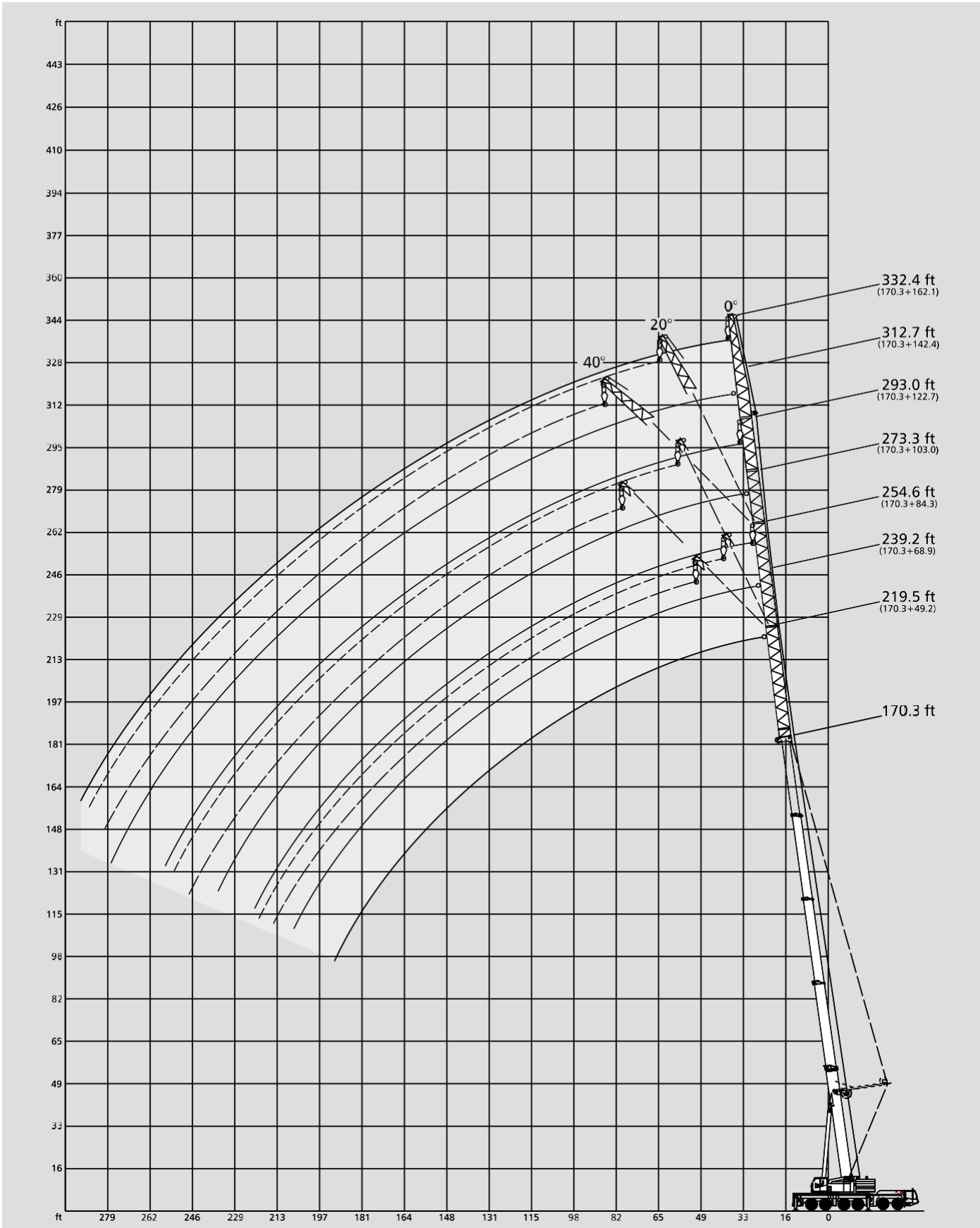
170.3 ft Main boom

183.7 ft Main boom

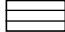
Fly jib				Fly jib									
Radius ft	40.0 ft			59.4 ft			Radius ft	40.0 ft			59.4 ft		
	0°	20°	40°	0°	20°	40°		0°	20°	40°	0°	20°	40°
	1,000 lb							1,000 lb					
33	75.3	-	-	47.3	-	-	36	75.3	-	-	45.6	-	-
39	75.3	-	-	46.5	-	-	39	75.3	-	-	45.2	-	-
46	72.9	44.2	-	45.4	-	-	46	71.6	-	-	44.3	-	-
52	69.3	42.2	-	44.1	-	-	52	67.7	42.7	-	43.2	-	-
56	66.8	40.9	29.9	43.1	34.1	-	59	63.5	40.8	29.7	41.6	33.2	-
59	64.8	40.1	29.7	42.5	33.5	-	65	60.0	39.1	29.1	40.4	32.2	-
65	61.4	38.5	28.9	40.9	32.3	-	72	56.3	37.5	28.4	38.8	31.1	25.5
72	57.4	36.8	28.2	39.2	31.1	25.8	79	52.7	35.8	27.7	37.4	29.9	24.8
79	53.6	35.2	27.5	37.8	29.9	25.1	85	49.9	34.6	27.1	36.2	29.1	24.4
85	50.6	34.0	26.9	36.4	28.9	24.7	92	46.9	33.4	26.6	34.8	28.2	24.0
92	47.3	32.8	26.4	35.0	27.9	24.2	98	44.4	32.4	26.2	33.5	27.3	23.6
98	44.9	31.8	26.0	33.8	27.1	23.6	111	40.0	30.5	25.6	31.3	25.8	22.9
111	40.3	29.8	25.1	31.1	25.8	22.7	124	36.1	28.5	24.9	29.4	24.5	22.3
124	36.5	28.2	24.5	28.9	24.5	22.0	138	32.5	26.8	24.4	27.3	23.3	21.5
138	33.2	26.8	24.2	26.8	23.3	21.5	151	29.9	25.7	24.0	25.5	22.4	21.1
151	30.8	25.7	24.0	25.3	22.4	21.1	164	27.7	25.3	24.0	24.0	21.8	20.9
164	28.6	24.9	-	24.0	21.8	20.9	177	26.0	24.7	-	22.5	21.1	20.7
177	26.9	24.2	-	22.9	21.3	-	190	24.2	23.6	-	20.9	20.5	-
190	20.0	-	-	21.8	20.9	-	203	16.7	-	-	19.6	19.4	-
203	-	-	-	20.1	20.7	-	216	-	-	-	16.8	18.5	-
210	-	-	-	15.1	-	-	223	-	-	-	12.4	-	-



# Working ranges fixed fly jib (SF) with / without SSL



# Lifting capacities fixed fly jib (SF)

224,900 lb 

360°

85%

## 170.3 ft Main boom

Radius ft	49.2 ft		68.9 ft		85.0 ft			Fly jib			123.4 ft			143.1 ft	162.7 ft			Radius ft
	0°	0°	0°	20°	40°	0°	0°	20°	40°	0°	0°	20°	40°	0°	0°	20°	40°	
1,000 lb																		
46	54.8	-	-	-	-	-	-	-	-	-	-	-	-	-	-	-	-	46
49	53.0	45.0	-	-	-	-	-	-	-	-	-	-	-	-	-	-	-	49
52	51.2	43.6	38.9	-	-	-	-	-	-	-	-	-	-	-	-	-	-	52
59	47.4	40.8	36.3	-	-	31.9	-	-	-	-	-	-	-	-	-	-	-	59
65	44.4	38.3	34.5	31.6	-	30.7	24.9	-	-	21.6	-	-	-	21.6	-	-	-	65
72	41.3	35.7	32.4	30.0	-	29.3	24.0	-	-	20.9	16.3	-	-	20.9	16.3	-	-	72
79	38.4	33.4	30.3	28.5	25.3	27.9	23.3	-	-	20.4	16.3	-	-	20.4	16.3	-	-	79
85	36.2	31.6	28.9	27.1	24.9	26.7	22.5	-	-	19.8	16.1	-	-	19.8	16.1	-	-	85
92	34.1	29.7	27.3	25.9	24.4	25.3	21.5	18.9	-	19.1	15.8	-	-	19.1	15.8	-	-	92
98	32.3	28.1	25.8	24.7	23.8	24.1	20.9	18.5	-	18.5	15.4	-	-	18.5	15.4	-	-	98
111	29.2	25.2	23.4	22.5	22.3	21.9	19.2	17.4	14.9	17.2	14.8	13.9	-	17.2	14.8	13.9	-	111
124	26.3	22.8	21.2	20.3	20.5	19.7	17.5	16.3	14.5	15.7	13.7	12.6	12.8	15.7	13.7	12.6	12.8	124
138	24.0	20.4	19.1	18.4	18.7	17.8	15.8	15.1	14.0	14.3	12.5	11.6	11.8	14.3	12.5	11.6	11.8	138
151	22.0	18.7	17.6	16.9	17.1	16.3	14.3	14.1	13.4	13.0	11.4	10.7	11.0	13.0	11.4	10.7	11.0	151
164	20.2	17.2	16.0	15.6	15.6	14.9	13.2	13.0	12.7	11.9	10.3	9.9	10.1	11.9	10.3	9.9	10.1	164
177	18.5	15.8	15.0	14.5	14.5	13.9	12.1	12.1	12.1	10.8	9.2	9.2	9.2	10.8	9.2	9.2	9.2	177
190	16.7	14.5	13.9	13.6	-	12.8	11.2	11.2	11.2	9.7	8.3	8.6	8.6	9.7	8.3	8.6	8.6	190
203	14.8	13.4	12.8	12.8	-	11.9	10.3	10.3	10.3	9.0	7.7	7.9	7.9	9.0	7.7	7.9	7.9	203
216	-	12.3	11.9	12.1	-	11.0	9.5	9.7	9.7	8.1	6.8	7.3	7.3	8.1	6.8	7.3	7.3	216
229	-	-	11.2	11.7	-	10.3	8.8	9.0	9.0	7.5	6.2	6.6	6.8	7.5	6.2	6.6	6.8	229
243	-	-	-	-	-	9.6	8.1	8.3	-	6.8	5.7	5.9	6.1	6.8	5.7	5.9	6.1	243
256	-	-	-	-	-	9.2	7.7	7.9	-	6.3	5.0	5.2	5.7	6.3	5.0	5.2	5.7	256
266	-	-	-	-	-	-	7.2	7.4	-	5.9	4.8	5.0	-	5.9	4.8	5.0	-	266
269	-	-	-	-	-	-	7.2	-	-	5.9	4.6	4.8	-	5.9	4.6	4.8	-	269
279	-	-	-	-	-	-	5.0	-	-	5.5	4.4	4.6	-	5.5	4.4	4.6	-	279
282	-	-	-	-	-	-	-	-	-	5.5	4.1	4.4	-	5.5	4.1	4.4	-	282
295	-	-	-	-	-	-	-	-	-	4.6	3.9	4.1	-	4.6	3.9	4.1	-	295
305	-	-	-	-	-	-	-	-	-	-	3.7	3.9	-	-	3.7	3.9	-	305
308	-	-	-	-	-	-	-	-	-	-	3.5	-	-	-	3.5	-	-	308

## 183.7 ft Main boom

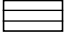
Radius ft	49.2 ft		68.9 ft		85.0 ft			Fly jib			123.4 ft			143.1 ft	162.7 ft			Radius ft
	0°	0°	0°	20°	40°	0°	0°	20°	40°	0°	0°	20°	40°	0°	0°	20°	40°	
1,000 lb																		
49	43.7	-	-	-	-	-	-	-	-	-	-	-	-	-	-	-	-	49
52	42.3	36.1	-	-	-	-	-	-	-	-	-	-	-	-	-	-	-	52
56	40.6	34.5	29.7	-	-	-	-	-	-	-	-	-	-	-	-	-	-	56
59	39.2	33.5	28.8	-	-	25.8	-	-	-	-	-	-	-	-	-	-	-	59
65	36.8	31.5	27.2	-	-	24.3	20.5	-	-	-	-	-	-	-	-	-	-	65
69	35.4	30.1	26.2	23.3	-	23.5	20.0	-	-	16.7	-	-	-	16.7	-	-	-	69
72	34.4	29.3	25.6	22.7	-	22.9	19.6	-	-	16.5	12.1	-	-	16.5	12.1	-	-	72
79	32.1	27.4	23.9	21.5	20.6	21.5	18.7	-	-	15.8	11.8	-	-	15.8	11.8	-	-	79
85	30.5	25.8	22.7	20.5	19.8	20.5	17.8	-	-	15.2	11.4	-	-	15.2	11.4	-	-	85
92	28.8	24.4	21.5	19.3	18.9	19.3	17.1	14.9	-	14.5	11.2	-	-	14.5	11.2	-	-	92
98	27.4	23.0	20.5	18.5	18.1	18.3	16.3	14.3	-	13.9	10.8	-	-	13.9	10.8	-	-	98
111	24.8	20.8	18.6	16.8	16.5	16.6	14.6	13.0	12.6	12.6	10.1	9.9	-	12.6	10.1	9.9	-	111
124	22.8	18.8	17.0	15.5	15.2	15.0	13.0	11.9	11.5	11.5	9.3	9.0	8.6	11.5	9.3	9.0	8.6	124
138	20.6	17.1	15.4	14.0	14.0	13.6	11.6	11.0	10.5	10.1	8.5	8.1	7.9	10.1	8.5	8.1	7.9	138
151	19.1	15.6	14.3	13.0	13.0	12.5	10.5	9.9	9.6	9.2	7.7	7.4	7.0	9.2	7.7	7.4	7.0	151
164	17.6	14.3	13.0	12.1	12.1	11.4	9.4	9.2	9.0	8.1	6.8	6.6	6.3	8.1	6.8	6.6	6.3	164
177	16.3	13.2	12.1	11.2	11.4	10.8	8.8	8.3	8.3	7.5	6.1	5.9	5.7	7.5	6.1	5.9	5.7	177
190	15.0	12.3	11.2	10.3	10.8	9.9	8.1	7.7	7.7	6.6	5.5	5.3	5.3	6.6	5.5	5.3	5.3	190
203	13.7	11.4	10.6	9.9	-	9.2	7.5	7.0	7.2	6.1	4.8	4.6	4.6	6.1	4.8	4.6	4.6	203
216	12.4	10.6	9.9	9.2	-	8.6	7.0	6.6	6.8	5.5	4.2	4.2	4.2	5.5	4.2	4.2	4.2	216
229	-	9.9	9.2	8.8	-	7.9	6.4	5.9	6.4	4.8	3.7	3.7	3.7	4.8	3.7	3.7	3.7	229
243	-	-	8.7	-	-	7.4	5.9	5.5	-	4.4	3.2	3.2	-	4.4	3.2	3.2	-	243
256	-	-	-	-	-	7.0	5.5	5.2	-	3.9	-	-	-	3.9	-	-	-	256
269	-	-	-	-	-	6.6	5.2	4.8	-	3.5	-	-	-	3.5	-	-	-	269
279	-	-	-	-	-	-	5.0	4.8	-	-	-	-	-	-	-	-	-	279
282	-	-	-	-	-	-	5.0	-	-	-	-	-	-	-	-	-	-	282
289	-	-	-	-	-	-	3.9	-	-	-	-	-	-	-	-	-	-	289
292	-	-	-	-	-	-	3.3	-	-	-	-	-	-	-	-	-	-	292
305	-	-	-	-	-	-	-	-	-	-	-	-	-	-	-	-	-	305

170.3 ft Main boom		Fly jib												
Radius ft	49.2 ft	68.9 ft	85.0 ft			103.7 ft	123.4 ft			143.1 ft	162.7 ft			Radius ft
	0°	0°	0°	20°	40°	0°	0°	20°	40°	0°	0°	20°	40°	
	1,000 lb													
46	54.8	-	-	-	-	-	-	-	-	-	-	-	-	46
49	53.0	45.0	-	-	-	-	-	-	-	-	-	-	-	49
52	51.2	43.6	38.9	-	-	-	-	-	-	-	-	-	-	52
59	47.4	40.8	36.3	-	-	31.9	-	-	-	-	-	-	-	59
65	44.4	38.3	34.5	31.6	-	30.7	24.9	-	-	21.6	-	-	-	65
72	41.3	35.7	32.4	30.0	-	29.3	24.0	-	-	20.9	16.3	-	-	72
79	38.4	33.4	30.3	28.5	25.3	27.9	23.3	-	-	20.4	16.3	-	-	79
85	36.2	31.6	28.9	27.1	24.9	26.7	22.5	-	-	19.8	16.1	-	-	85
92	34.1	29.7	27.3	25.9	24.4	25.3	21.5	18.9	-	19.1	15.8	-	-	92
98	32.3	28.1	25.8	24.7	23.8	24.1	20.9	18.5	-	18.5	15.4	-	-	98
111	29.2	25.2	23.4	22.5	22.3	21.9	19.2	17.4	14.9	17.2	14.8	13.9	-	111
124	26.3	22.8	21.2	20.3	20.5	19.7	17.5	16.3	14.5	15.7	13.7	12.6	12.8	124
138	24.0	20.4	19.1	18.4	18.7	17.8	15.8	15.1	14.0	14.3	12.5	11.6	11.8	138
151	22.0	18.7	17.6	16.9	17.1	16.3	14.3	14.1	13.4	13.0	11.4	10.7	11.0	151
164	18.0	17.2	16.0	15.6	15.6	14.9	13.2	13.0	12.7	11.9	10.3	9.9	10.1	164
177	14.8	15.2	15.0	14.5	14.5	13.9	12.1	12.1	12.1	10.8	9.2	9.2	9.2	177
190	11.9	12.4	13.7	13.6	-	12.8	11.2	11.2	11.2	9.7	8.3	8.6	8.6	190
203	9.5	9.9	11.3	11.9	-	11.9	10.3	10.3	10.3	9.0	7.7	7.9	7.9	203
216	-	8.0	9.3	9.7	-	9.7	9.5	9.7	9.7	8.1	6.8	7.3	7.3	216
229	-	-	7.3	7.8	-	8.0	8.2	9.0	9.0	7.5	6.2	6.6	6.8	229
243	-	-	-	-	-	6.3	6.5	7.4	-	5.9	5.7	5.9	6.1	243
256	-	-	-	-	-	4.8	5.0	5.7	-	4.3	4.4	5.2	5.7	256
266	-	-	-	-	-	-	4.1	4.6	-	-	-	4.3	-	266
269	-	-	-	-	-	-	3.7	-	-	-	-	3.9	-	269
279	-	-	-	-	-	-	-	-	-	-	-	-	-	279

183.7 ft Main boom		Fly jib												
Radius ft	49.2 ft	68.9 ft	85.0 ft			103.7 ft	123.4 ft			143.1 ft	162.7 ft			Radius ft
	0°	0°	0°	20°	40°	0°	0°	20°	40°	0°	0°	20°	40°	
	1,000 lb													
49	43.7	-	-	-	-	-	-	-	-	-	-	-	-	49
52	42.3	36.1	-	-	-	-	-	-	-	-	-	-	-	52
56	40.6	34.5	29.7	-	-	-	-	-	-	-	-	-	-	56
59	39.2	33.5	28.8	-	-	25.8	-	-	-	-	-	-	-	59
65	36.8	31.5	27.2	-	-	24.3	20.5	-	-	-	-	-	-	65
69	35.4	30.1	26.2	23.3	-	23.5	20.0	-	-	16.7	-	-	-	69
72	34.4	29.3	25.6	22.7	-	22.9	19.6	-	-	16.5	12.1	-	-	72
79	32.1	27.4	23.9	21.5	20.6	21.5	18.7	-	-	15.8	11.8	-	-	79
85	30.5	25.8	22.7	20.5	19.8	20.5	17.8	-	-	15.2	11.4	-	-	85
92	28.8	24.4	21.5	19.3	18.9	19.3	17.1	14.9	-	14.5	11.2	-	-	92
98	27.4	23.0	20.5	18.5	18.1	18.3	16.3	14.3	-	13.9	10.8	-	-	98
111	24.8	20.8	18.6	16.8	16.5	16.6	14.6	13.0	12.6	12.6	10.1	9.9	-	111
124	22.8	18.8	17.0	15.5	15.2	15.0	13.0	11.9	11.5	11.5	9.3	9.0	8.6	124
138	20.6	17.1	15.4	14.0	14.0	13.6	11.6	11.0	10.5	10.1	8.5	8.1	7.9	138
151	19.1	15.6	14.3	13.0	13.0	12.5	10.5	9.9	9.6	9.2	7.7	7.4	7.0	151
164	17.6	14.3	13.0	12.1	12.1	11.4	9.4	9.2	9.0	8.1	6.8	6.6	6.3	164
177	14.3	13.2	12.1	11.2	11.4	10.8	8.8	8.3	8.3	7.5	6.1	5.9	5.7	177
190	11.7	11.9	11.2	10.3	10.8	9.9	8.1	7.7	7.7	6.6	5.5	5.3	5.3	190
203	9.3	9.5	10.6	9.9	-	9.2	7.5	7.0	7.2	6.1	4.8	4.6	4.6	203
216	7.1	7.5	8.6	9.2	-	8.6	7.0	6.6	6.8	5.5	4.2	4.2	4.2	216
229	-	5.6	6.9	7.3	-	7.5	6.4	5.9	6.4	4.8	3.7	3.7	3.7	229
243	-	-	-	-	-	-	-	-	-	-	-	-	-	243
256	-	-	-	-	-	-	-	-	-	-	-	-	-	256
269	-	-	-	-	-	-	-	3.9	-	-	-	-	-	269
279	-	-	-	-	-	-	-	-	-	-	-	-	-	279



# Lifting capacities fixed fly jib (SF) with SSL

313,100 lb 

360°

85%

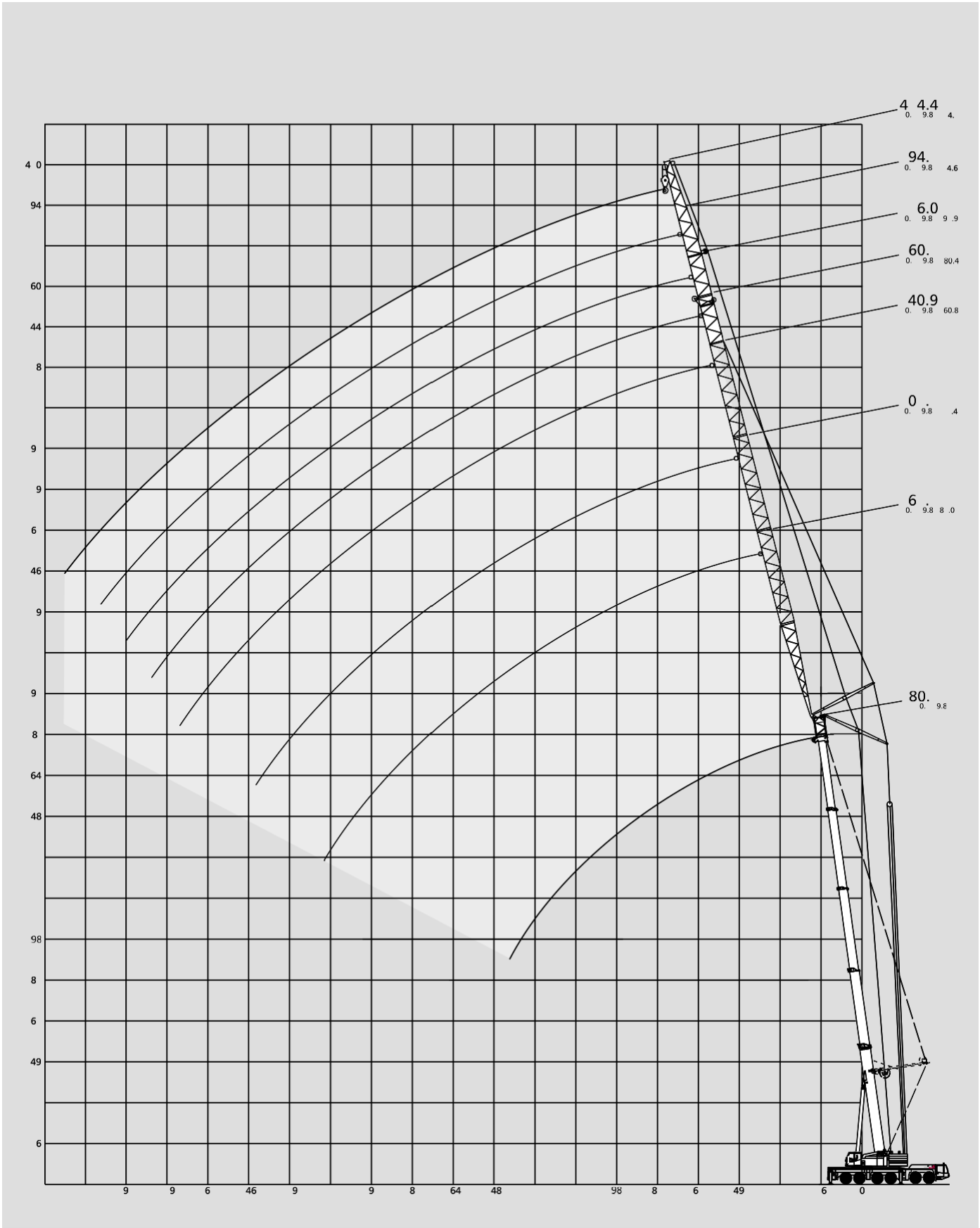
170.3 ft Main boom		Fly jib													
Radius ft	49.2 ft	68.9 ft	85.0 ft			103.7 ft	123.4 ft			143.1 ft	162.7 ft			Radius ft	
	0°	0°	0°	20°	40°	0°	0°	20°	40°	0°	0°	20°	40°		
	1,000 lb														
36	80.5**	-	-	-	-	-	-	-	-	-	-	-	-	36	
39	78.1**	-	-	-	-	-	-	-	-	-	-	-	-	39	
42	75.7**	66.0**	56.0**	-	-	-	-	-	-	-	-	-	-	42	
46	72.7**	63.6**	54.2**	-	-	44.7**	-	-	-	-	-	-	-	46	
52	68.4**	60.2**	51.3**	-	-	42.5**	36.7**	-	-	-	-	-	-	52	
59	64.1**	56.4**	48.3**	36.3*	-	40.1**	34.6**	-	-	33.3**	-	-	-	59	
65	60.5**	53.6**	46.0**	35.5*	28.4*	38.3**	32.8**	-	-	31.4**	27.0**	-	-	65	
72	56.7**	50.5**	43.4**	34.6*	28.0*	36.4**	31.1**	-	-	29.5**	25.6**	-	-	72	
79	53.2**	47.7**	41.1**	33.4*	27.3*	34.5**	29.2**	21.1*	-	27.9**	23.9**	-	-	79	
85	50.4**	45.3**	39.3**	32.4*	26.9*	33.1**	28.0**	20.7*	-	26.5**	22.9**	-	-	85	
92	47.5**	42.7**	37.2**	31.5*	26.4*	31.4**	26.6**	20.0*	-	25.1**	21.5**	16.7*	-	92	
98	45.1**	40.7**	35.6**	30.4*	26.0*	30.2**	25.4**	19.6*	15.4*	24.1**	20.7**	16.3*	-	98	
111	40.5**	36.9**	32.5**	28.5*	25.3*	27.6**	23.2**	18.5*	14.7*	21.9**	18.8**	15.6*	14.5*	111	
124	36.7**	33.6**	29.6**	26.7*	24.9*	25.4**	21.4**	17.4*	14.3*	20.1**	17.0**	14.8*	13.7*	124	
138	33.4**	30.3**	27.0**	25.1*	24.2*	23.3**	19.8**	16.5*	14.1*	18.4**	15.6**	13.6*	12.7*	138	
151	30.6**	27.9**	25.1**	24.0*	23.3*	21.8**	18.2**	15.6*	13.6*	16.9**	14.3**	12.7*	11.9*	151	
164	28.2**	25.5**	23.3**	22.9*	22.4*	20.2**	16.9**	14.9*	13.4*	15.4**	13.2**	11.9*	11.2*	164	
177	26.0**	23.1**	21.6**	21.8*	21.8*	18.9**	15.8**	14.1*	13.2*	14.1**	12.3**	11.0*	10.8*	177	
190	21.7**	21.2**	20.3**	20.9*	21.1*	17.8**	15.0**	13.4*	12.7*	13.0**	11.4**	10.3*	10.1*	190	
203	-	19.6**	18.9**	20.0*	-	17.0*	14.1**	12.8*	12.5*	12.1**	10.6**	9.9*	9.7*	203	
216	-	13.7**	16.6**	18.1*	-	16.3*	13.4**	12.3*	12.3*	11.2**	9.9**	9.2*	9.2*	216	
229	-	-	11.0**	12.4*	-	15.6*	12.8**	11.9*	12.1*	10.8**	9.2**	8.8*	8.8*	229	
243	-	-	-	-	-	12.9*	12.3**	11.4*	-	10.1**	8.8**	8.3*	8.3*	243	
256	-	-	-	-	-	6.5*	10.3**	11.2*	-	9.6**	8.3**	7.9*	7.9*	256	
269	-	-	-	-	-	-	5.5**	7.9*	-	9.4**	7.9**	7.4*	-	269	
282	-	-	-	-	-	-	-	-	-	6.8**	7.5**	7.2*	-	282	
295	-	-	-	-	-	-	-	-	-	-	4.6**	6.6*	-	295	
305	-	-	-	-	-	-	-	-	-	-	-	3.5*	-	305	
315	-	-	-	-	-	-	-	-	-	-	-	-	-	315	

183.7 ft Main boom		Fly jib													
Radius ft	49.2 ft	68.9 ft	85.0 ft			103.7 ft	123.4 ft			143.1 ft	162.7 ft			Radius ft	
	0°	0°	0°	20°	40°	0°	0°	20°	40°	0°	0°	20°	40°		
	1,000 lb														
39	71.4**	-	-	-	-	-	-	-	-	-	-	-	-	39	
46	66.5**	57.9**	50.2**	-	-	-	-	-	-	-	-	-	-	46	
52	62.9**	55.1**	48.0**	-	-	40.2**	-	-	-	-	-	-	-	52	
59	58.8**	52.0**	45.6**	31.7*	-	38.5**	33.3**	-	-	-	-	-	-	59	
65	55.8**	49.4**	43.6**	31.3*	-	37.2**	31.8**	-	-	30.1**	-	-	-	65	
72	52.5**	46.8**	41.7**	30.6*	28.2*	35.5**	30.2**	-	-	28.6**	24.9**	-	-	72	
79	49.4**	44.2**	39.6**	30.1*	27.7*	34.1**	28.6**	-	-	27.0**	23.5**	-	-	79	
85	46.8**	42.2**	38.0**	29.7*	27.3*	32.7**	27.3**	19.8*	-	25.8**	22.5**	-	-	85	
92	44.0**	39.8**	36.1**	28.8*	26.8*	31.0**	25.9**	19.3*	-	24.6**	21.1**	13.2*	-	92	
98	42.0**	38.0**	34.5**	28.0*	26.4*	29.8**	24.9**	18.9*	-	23.4**	20.1**	13.2*	-	98	
111	38.0*	34.3**	31.2**	26.5*	25.3*	27.2**	23.0**	18.1*	14.7*	21.2**	18.1**	12.7*	-	111	
124	35.8*	31.0**	28.3**	24.9*	24.3*	25.0**	21.2**	17.2*	14.3*	19.2**	16.4**	12.5*	11.7*	124	
138	33.6*	28.1**	25.7**	23.3*	23.1*	22.9**	19.6**	16.3*	13.8*	17.3**	14.9**	11.8*	11.2*	138	
151	31.2*	26.2*	23.7**	22.0*	22.2*	21.3**	18.2**	15.4*	13.6*	16.0**	13.6**	11.2*	10.5*	151	
164	28.8*	25.1*	21.8**	20.9*	21.1*	19.8**	16.9**	14.7*	13.4*	14.7**	12.7**	10.5*	9.9*	164	
177	26.7*	23.8*	20.3**	20.0*	20.2*	18.5**	15.8**	14.1*	13.2*	13.6**	11.6**	9.9*	9.4*	177	
190	24.3*	22.5*	19.4*	19.2*	19.4*	17.2**	14.7**	13.4*	12.7*	12.5**	10.8**	9.2*	8.8*	190	
203	18.2*	20.9*	18.5*	18.3*	-	16.1**	13.9**	12.8*	12.5*	11.7**	9.9**	8.6*	8.3*	203	
216	-	17.1*	17.6*	17.4*	-	15.2*	13.0**	12.3*	12.3*	11.0**	9.2**	7.9*	7.9*	216	
229	-	11.1*	13.2*	14.6*	-	14.5*	12.3**	11.9*	12.1*	10.1**	8.6**	7.5*	7.5*	229	
243	-	-	7.6*	9.1*	-	14.0*	11.6*	11.6*	-	9.6*	7.9**	7.0*	7.0*	243	
256	-	-	-	-	-	10.5*	11.4*	11.2*	-	9.2*	7.4**	6.6*	6.6*	256	
269	-	-	-	-	-	4.6*	7.7*	9.9*	-	8.8*	7.0**	6.3*	6.3*	269	
282	-	-	-	-	-	-	-	5.5*	-	8.3*	6.6**	6.1*	-	282	
295	-	-	-	-	-	-	-	-	-	4.9*	5.9*	5.7*	-	295	
308	-	-	-	-	-	-	-	-	-	-	4.4*	5.5*	-	308	
315	-	-	-	-	-	-	-	-	-	-	-	-	-	315	

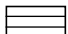
Remarks  
 \* SSL 0°      \*\* SSL 30°



# Working ranges luffing fly jib with / without SSL



# Lifting capacities luffing fly jib

269,000 lb 

360°

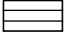
85%

46.6 ft + 9.8 ft Main boom + adapter

Radius ft	Fly jib								Radius ft
	ft	82.0	121.4	160.8	180.5	196.5	215.2	234.9	
39		147.8	-	-	1,000 lb	-	-	-	39
46		145.4	98.3	-	-	-	-	-	46
52		139.3	96.6	60.0	-	-	-	-	52
59		132.3	94.8	59.3	46.9	-	-	-	59
65		124.2	93.2	58.9	46.5	36.8	30.2	-	65
72		112.7	91.1	58.4	46.0	36.8	29.9	22.4	72
79		92.3	89.2	57.9	45.6	36.5	29.5	22.0	79
85		-	87.3	57.3	45.2	36.3	29.3	21.8	85
92		-	82.5	56.8	44.5	36.1	29.0	21.3	92
98		-	75.6	56.4	43.9	35.9	28.8	21.1	98
111		-	56.3	55.3	42.3	35.0	28.0	20.5	111
124		-	-	53.1	40.8	34.4	27.3	19.8	124
138		-	-	45.6	36.9	33.4	26.6	19.1	138
151		-	-	34.7	33.2	31.7	25.7	18.5	151
164		-	-	-	29.9	29.9	24.4	17.6	164
177		-	-	-	-	27.3	23.3	16.9	177
190		-	-	-	-	22.3	22.5	16.3	190
203		-	-	-	-	-	21.8	15.8	203
216		-	-	-	-	-	-	15.2	216
226		-	-	-	-	-	-	14.9	226
239		-	-	-	-	-	-	-	239

62.0 ft + 9.8 ft Main boom + adapter

Radius ft	Fly jib								Radius ft
	ft	82.0	121.4	160.8	180.5	196.5	215.2	234.9	
42		137.5	-	-	1,000 lb	-	-	-	42
46		132.2	88.6	-	-	-	-	-	46
52		128.2	87.1	-	-	-	-	-	52
59		121.3	85.7	53.3	42.1	-	-	-	59
65		115.2	84.5	52.9	41.9	34.1	-	-	65
72		104.5	82.9	52.4	41.4	33.9	27.3	-	72
79		93.2	81.2	52.2	41.2	33.9	27.1	20.0	79
85		82.9	79.6	51.8	40.8	33.7	27.1	19.8	85
92		-	76.5	51.3	40.3	33.5	26.8	19.6	92
98		-	70.5	50.9	39.9	33.3	26.6	19.4	98
111		-	57.2	49.8	38.6	32.8	26.2	18.7	111
124		-	-	46.2	37.5	32.2	25.6	18.3	124
138		-	-	40.4	35.2	31.7	25.1	17.6	138
151		-	-	35.0	32.6	29.9	24.4	17.1	151
164		-	-	-	29.9	28.4	23.8	16.7	164
177		-	-	-	27.3	26.6	22.9	16.1	177
190		-	-	-	-	24.9	22.2	15.6	190
203		-	-	-	-	-	21.4	15.2	203
216		-	-	-	-	-	-	14.7	216
229		-	-	-	-	-	-	14.3	229
239		-	-	-	-	-	-	-	239

269,000 lb 

360°

85%

77.4 ft + 9.8 ft Main boom + adapter

Radius	ft	Fly jib							Radius
		82.0	121.4	160.8	180.5	196.5	215.2	234.9	
ft					1,000 lb				ft
46	123.3	-	-	-	-	-	-	-	46
52	117.3	77.8	-	-	-	-	-	-	52
59	110.2	76.7	47.1	-	-	-	-	-	59
65	105.6	75.7	46.7	37.0	30.8	-	-	-	65
72	99.5	74.5	46.5	36.8	30.8	24.6	-	-	72
79	93.2	73.3	46.2	36.5	30.8	24.6	18.0	-	79
85	87.8	72.1	46.0	36.3	30.8	24.4	17.8	-	85
92	-	70.9	45.6	36.1	30.8	24.4	17.6	-	92
98	-	67.2	45.4	35.7	30.8	24.4	17.4	-	98
111	-	56.6	44.7	35.0	30.4	24.0	17.2	-	111
124	-	45.9	42.8	34.4	30.2	23.8	16.7	-	124
138	-	-	38.5	33.0	29.7	23.3	16.3	-	138
151	-	-	34.5	31.2	28.8	23.1	15.8	-	151
164	-	-	-	29.3	27.5	22.4	15.6	-	164
177	-	-	-	27.5	26.4	22.0	15.2	-	177
190	-	-	-	-	25.1	21.6	14.7	-	190
203	-	-	-	-	-	21.1	14.3	-	203
216	-	-	-	-	-	-	14.1	-	216
229	-	-	-	-	-	-	13.6	-	229

108.3 ft + 9.8 ft Main boom + adapter

Radius	ft	Fly jib							Radius
		82.0	121.4	160.8	180.5	196.5	215.2	234.9	
ft					1,000 lb				ft
52	92.9	-	-	-	-	-	-	-	52
59	88.2	57.1	-	-	-	-	-	-	59
65	83.7	56.8	34.6	-	-	-	-	-	65
72	78.6	56.6	34.3	27.1	22.0	-	-	-	72
79	74.6	56.2	34.3	27.1	22.0	19.8	-	-	79
85	72.6	55.7	34.1	27.1	22.0	19.8	13.8	-	85
92	70.0	55.1	34.1	27.1	22.0	19.8	13.8	-	92
98	-	54.7	33.9	27.1	22.0	19.8	13.6	-	98
111	-	51.0	33.7	27.1	22.0	19.8	13.6	-	111
124	-	46.3	33.5	27.1	22.0	19.8	13.4	-	124
138	-	-	32.3	27.1	22.0	19.8	13.2	-	138
151	-	-	31.0	27.1	22.0	19.8	13.2	-	151
164	-	-	29.5	26.8	22.0	19.8	13.0	-	164
177	-	-	-	26.8	22.0	19.8	12.7	-	177
190	-	-	-	-	22.0	19.8	12.7	-	190
203	-	-	-	-	22.0	19.8	12.5	-	203
216	-	-	-	-	-	19.8	12.5	-	216
229	-	-	-	-	-	-	12.3	-	229
239	-	-	-	-	-	-	12.3	-	239



# Lifting capacities luffing fly jib

269,000 lb



360°

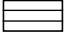
85%

## 123.7 ft + 9.8 ft Main boom + adapter

Radius	Fly jib								Radius
	ft	82.0	121.4	160.8	180.5	196.5	215.2	234.9	
ft					1,000 lb				ft
59		74.7	46.9	-	-	-	-	-	59
65		72.3	46.9	-	-	-	-	-	65
72		69.3	46.9	28.2	-	-	-	-	72
79		66.2	46.9	28.2	24.0	19.8	-	-	79
85		64.2	46.7	28.2	24.0	19.8	15.6	-	85
92		62.1	46.7	28.2	24.0	19.8	15.6	11.6	92
98		-	46.5	28.2	24.0	19.8	15.6	11.6	98
111		-	45.6	28.2	24.0	19.8	15.6	11.6	111
124		-	43.9	28.2	24.0	19.8	15.6	11.6	124
138		-	-	28.2	24.0	19.8	15.6	11.6	138
151		-	-	28.2	24.0	19.8	15.6	11.6	151
164		-	-	28.2	24.0	19.8	15.6	11.6	164
177		-	-	-	24.0	19.8	15.6	11.6	177
190		-	-	-	24.0	19.8	15.6	11.6	190
203		-	-	-	-	19.8	15.6	11.6	203
216		-	-	-	-	-	15.6	11.6	216
229		-	-	-	-	-	-	11.6	229
243		-	-	-	-	-	-	11.6	243
256		-	-	-	-	-	-	-	256

## 139.1 ft + 9.8 ft Main boom + adapter

Radius	Fly jib								Radius
	ft	82.0	121.4	160.8	180.5	196.5	215.2	234.9	
ft					1,000 lb				ft
59		59.0	-	-	-	-	-	-	59
65		59.0	36.8	-	-	-	-	-	65
72		56.7	36.8	23.1	-	-	-	-	72
79		54.3	36.8	23.1	18.5	-	-	-	79
85		52.5	36.8	23.1	18.5	16.3	11.9	-	85
92		50.4	36.8	23.1	18.5	16.3	11.9	8.3	92
98		48.8	36.6	23.1	18.5	16.3	11.9	8.3	98
111		-	36.5	23.1	18.5	16.3	11.9	8.3	111
124		-	35.7	23.1	18.5	16.3	11.9	8.3	124
138		-	-	23.1	18.5	16.3	11.9	8.3	138
151		-	-	23.1	18.5	16.3	11.9	8.3	151
164		-	-	23.1	18.5	16.3	11.9	8.3	164
177		-	-	-	18.5	16.0	11.9	8.3	177
190		-	-	-	18.5	16.0	11.9	8.3	190
203		-	-	-	-	15.8	11.9	8.3	203
216		-	-	-	-	-	11.9	8.3	216
229		-	-	-	-	-	11.9	8.3	229
243		-	-	-	-	-	-	8.3	243
256		-	-	-	-	-	-	-	256

269,000 lb 

360°

85%

154.5 ft + 9.8 ft Main boom + adapter

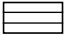
Radius	ft	Fly jib							Radius
		82.0	121.4	160.8	180.5	196.5	215.2	234.9	
ft					1,000 lb				ft
65		44.5	26.6	-	-	-	-	-	65
72		44.1	26.6	-	-	-	-	-	72
79		43.4	26.6	18.0	-	-	-	-	79
85		42.8	26.6	18.0	14.3	11.0	-	-	85
92		41.6	26.6	18.0	14.3	11.0	7.9	-	92
98		40.4	26.6	18.0	14.3	11.0	7.9	5.0	98
111		-	26.6	18.0	14.3	11.0	7.9	5.0	111
124		-	26.6	18.0	14.3	11.0	7.9	5.0	124
138		-	26.6	18.0	14.3	11.0	7.9	5.0	138
151		-	-	18.0	14.3	11.0	7.9	5.0	151
164		-	-	18.0	14.3	11.0	7.9	5.0	164
177		-	-	18.0	14.3	11.0	7.9	5.0	177
190		-	-	-	14.3	11.0	7.9	5.0	190
203		-	-	-	-	11.0	7.9	5.0	203
216		-	-	-	-	-	7.9	5.0	216
229		-	-	-	-	-	7.9	5.0	229
243		-	-	-	-	-	-	5.0	243

170.3 ft + 9.8 ft Main boom + adapter

Radius	ft	Fly jib							Radius
		82.0	121.4	160.8	180.5	196.5	215.2	234.9	
ft					1,000 lb				ft
69		33.0	18.7	-	-	-	-	-	69
72		33.0	18.7	-	-	-	-	-	72
79		33.0	18.7	12.1	-	-	-	-	79
85		33.0	18.7	12.1	9.9	-	-	-	85
92		33.0	18.7	12.1	9.9	7.2	4.4	-	92
98		31.8	18.7	12.1	9.9	7.2	4.4	-	98
111		-	18.7	12.1	9.9	7.2	4.4	-	111
124		-	18.7	12.1	9.9	7.2	4.4	-	124
138		-	18.7	12.1	9.9	7.2	4.4	-	138
151		-	-	12.1	9.9	7.2	4.4	-	151
164		-	-	12.1	9.9	7.2	4.4	-	164
177		-	-	12.1	9.9	7.2	4.4	-	177
190		-	-	-	9.9	7.2	4.4	-	190
203		-	-	-	-	7.2	4.4	-	203
216		-	-	-	-	-	4.4	-	216
229		-	-	-	-	-	4.4	-	229
243		-	-	-	-	-	-	-	243

5

# Lifting capacities luffing fly jib with SSL 60°

269,000 lb 

360°

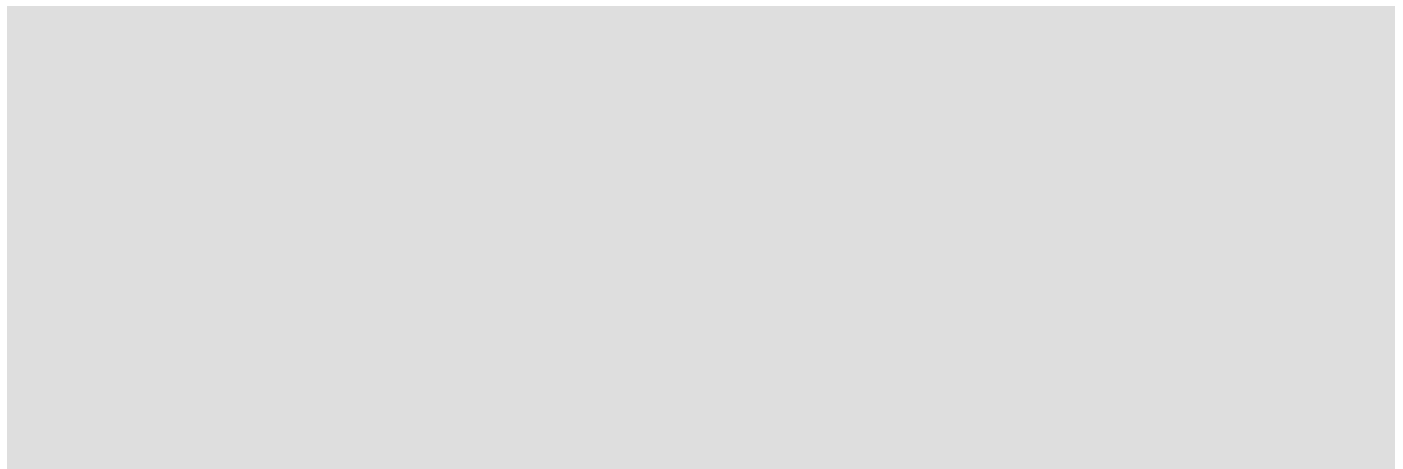
85%

## 154.5 ft + 9.8 ft Main boom + adapter

Radius	Fly jib								Radius
	ft	82.0	121.4	160.8	180.5	196.5	215.2	234.9	
ft					1,000 lb				ft
65		61.4	-	-	-	-	-	-	65
69		59.0	39.2	-	-	-	-	-	69
72		57.2	38.6	-	-	-	-	-	72
79		53.6	37.6	-	-	-	-	-	79
82		52.2	37.0	28.4	-	-	-	-	82
85		51.0	36.6	28.0	-	-	-	-	85
88		49.6	36.2	27.8	24.7	21.4	-	-	88
92		48.0	35.4	27.3	24.4	21.1	-	-	92
95		46.7	35.0	27.1	24.0	20.9	16.5	-	95
98		45.5	34.6	26.7	23.8	20.7	16.5	12.3	98
111		-	32.5	25.4	22.7	19.6	15.6	11.9	111
124		-	30.5	24.3	21.6	18.5	15.0	11.2	124
138		-	28.4	22.9	20.4	17.6	14.0	10.7	138
151		-	-	21.8	19.3	16.7	13.4	10.1	151
164		-	-	20.5	18.5	15.8	12.7	9.7	164
177		-	-	19.4	17.4	14.7	12.1	9.2	177
190		-	-	-	16.3	13.9	11.4	8.8	190
203		-	-	-	-	13.0	10.8	8.1	203
216		-	-	-	-	-	10.1	7.7	216
229		-	-	-	-	-	9.3	7.2	229
243		-	-	-	-	-	-	6.8	243

## 170.3 ft + 9.8 ft Main boom + adapter

Radius	Fly jib								Radius
	ft	82.0	121.4	160.8	180.5	196.5	215.2	234.9	
ft					1,000 lb				ft
69		49.9	-	-	-	-	-	-	69
72		48.3	31.7	-	-	-	-	-	72
79		45.0	30.6	-	-	-	-	-	79
85		42.8	29.5	22.9	-	-	-	-	85
92		40.5	28.6	22.2	20.0	-	-	-	92
95		39.7	28.0	22.0	19.8	16.9	-	-	95
98		38.9	27.6	21.8	19.6	16.7	13.6	-	98
105		-	26.4	21.1	19.1	16.3	13.2	10.1	105
111		-	25.6	20.5	18.5	15.9	12.8	9.7	111
124		-	23.4	19.2	17.4	15.0	12.1	9.0	124
138		-	21.3	18.0	16.5	14.0	11.2	8.5	138
151		-	-	16.7	15.4	13.2	10.5	7.9	151
164		-	-	15.6	14.3	12.3	9.7	7.2	164
177		-	-	14.3	13.2	11.4	9.0	6.8	177
190		-	-	-	12.1	10.6	8.1	6.1	190
203		-	-	-	-	9.7	7.5	5.5	203
216		-	-	-	-	-	6.8	5.0	216
229		-	-	-	-	-	5.9	4.4	229
243		-	-	-	-	-	-	3.9	243



# Technical description

## Carrier

Drive / Steering	12 x 8 x 10.
Frame	Demag-built monobox main frame with outrigger boxes integral, of high strength fine grain structural steel.
Outriggers	4-point outrigger system, fully hydraulic horizontal and vertical extension.
Engine	Water-cooled 8-cylinder DaimlerChrysler diesel engine OM 502 LA, output 448 kW (601 hp) at 1800 <sup>1</sup> /min, torque 2700 Nm at 1200 <sup>1</sup> /min. Fuel tank capacity: 175 gallons for both carrier and superstructure.
Transmission	Allison type CLBT 755 with electronic transmission control (ATEC), torque converter and hydraulic retarder.
Axles	Axles 2, 3, 5 and 6 driven, 1, 2, 3, 5 and 6 steering. All drive axles with transverse differential lockout control, all axles hydro-pneumatically suspended and hydraulically blockable.
Wheels and tires	12 disk-type wheels 11.00-25/1.5" fitted with 16.00 R 25 tires.
Steering	Dual-circuit semiblock mechanical steering with hydraulic booster.
Brakes	to EC directives.
Electrical equipment	24 V system.
Driver's cab	Rubber-mounted low-line steel cab, ergonomic design, pneumatically suspended driver's and passenger's seat; electric window winders, heated outside mirrors, right-hand mirror electrically adjustable; dashboard with clearly arranged instrumentation and carrier controls, radio-cassette player.

## Superstructure

Engine	DaimlerChrysler OM 906 LA water-cooled 6-cylinder diesel engine, rating: 205 kW (275 hp) at 2300 <sup>1</sup> /min, torque 1100 Nm at 1300 <sup>1</sup> /min. Fuel tank on carrier, 13.2 gallons additional tank on superstructure.
Hydraulic system	Powered via 7 hydraulic circuits, 4 main pumps and 3 auxiliary pumps for 4 independent control movements, servo control included.
Hoist 1	Variable-displacement axial-piston hydraulic motor, hoist drum with integral planetary gear reducer and brake.
Slew unit	Axial-piston hydraulic motor with planetary gear reducer, foot-pedal operated brake and spring-applied holding brake.
Boom elevation	One differential cylinder with pilot-controlled lowering brake valves.
Control	Electric pilot control by two 4-way self-centering hand levers.
Crane cab	Spacious all-steel comfortable cab (tiltable) with sliding door and large hinged windscreen, roof window with armoured glass, full instrumentation and crane controls, comfortable seat with ergonomic armrest mounted joystick controls, working light. Self-contained hot water heater with timer and 'Heizmatic' for sensitive heat flow control. Intermittent control window wiper, and washer.
Outrigger loading indicator	Indication of outrigger loading in upper cabin.
Main boom	Basic boom and 4 telescopic sections, fabricated from fine grain structural steel, hydraulically telescoping to full boom length, buckling-resistant Demag ovaloid cross section with diagonal self-centering slider shoes, boom head incl. parts to fit the optional jibs and foldaway extension, boom sections pinned hydraulically.
Counterweight	114,640 lb, divisible.
Safety devices	Electronic safe load indicator with easy-to-read graphic display and sealed touch-type keyboard, digital read-out for hook load, nominal load, radius, boom length and angle. Analog display to indicate capacity utilisation, and monitoring code to assist in trouble shooting. Integrated read-out for boom telescoping, display for duty charts and theoretical outrigger loading. In addition, the following safety devices have been installed: limit switches on hoist and lowering motions, pressure relief and safety holding valves, hoist rotation indicator and anemometer.

## Optional equipment

Retarder	Telma retarder.
Night heater	Self-contained hot water heater for carrier cab.
Bunk bed	Carrier cab with bunk bed and roller blinds.
Air conditioning	Air conditioning for carrier cab.
Central lubrication	Central lubrication system for carrier.
Independent rear axle steering (crab steer)	The rear axles can be steered independent of the front axles. Axle 4 is raised hydraulically.
Tires	Disk-type wheels 17.00-25/1.7" fitted with 20.5 R 25 tires. Carrier width 10.2 ft.
Hoist 2	Variable-displacement axial-piston hydraulic motor, hoist drum with integral planetary gear reducer and brake.
Superlift attachment	This attachment, used to increase the crane's load moment, consists of both the boom suspension system with automatic rope length adjustment for boom telescoping and an additional counterweight of 154,324 lb or 198,416 lb. The boom suspension folds out, as required, at 0°, 30° and 60°, and can be lowered to the main boom when not needed or for road transport.
Additional counterweight	Max. 198,416 lb, to be integrated into standard counterweight, installs hydraulically without assist crane.
Main boom extension	39.7 ft and 59.4 ft, 0°, 20° and 40° offset, folding alongside basic boom.
Fixed fly jib (LF)	24.0 ft - 78.0 ft, consisting of components taken from the luffing jib.
Fixed fly jib (SF)	49.2 ft - 162.0 ft, consisting of components taken from the luffing jib.
Luffing fly jib	82.0 ft - 234.3 ft, with luffing mast, plus 9.8 ft adapter, pendant bars, electrical equipment and safety devices, the 2nd hoist is required when using the luffing fly jib.
Heavy-lift attachment 1	2 additional sheaves for duties 288,805 lb - 352,740 lb.
Heavy-lift attachment 2	6 additional sheaves for duties > 352,740 lb.
Heavy-lift attachment 3	2 pulley blocks with 11 sheaves each and connecting beam for duties > 529,109 lb.
Boom point sheave	Sheave folding to side of boom head.
Additional jack leg	For special duties with 46.6 ft main boom.
Auxiliary reeving winch	To simplify reeving of hook blocks.





# Notes

---



